

BAS-311E·311EL 326E·326EL

Programmable Electronic Pattern Sewer
with Cylinder Bed

bro rom
INDUSTRIAL MACHINES

Str. Fabrica de Glucoza 2-4, sector 2, Bucuresti, Romania
Nr. Reg. Com.: J 40/5796/1997, C.U.I: R9645361
Tel./Fax: +01 2323.844, +01 232.969, +01 2323.87
www.brother.ro www.brorom.ro email:office@brother.ro



Specifications

| | BAS-311E | BAS-311EL | BAS-326E | BAS-326EL |
|-----------------------------------|--|----------------------|-------------------------------------|--------------|
| Machine head | Lock stitch pattern tacking sewing machine (with large shuttle hook) | | | |
| Application | Medium, heavy, extra heavy materials | | | |
| Sewing speed | 2,500 rpm (When stitch length is 3 mm or less) | | | |
| Stitch length | 0.05 - 12.7 mm | | | |
| Sewing area X - Y | 130 × 60 mm | 220 × 60 mm | 200 × 100 mm | 220 × 100 mm |
| Max. number of stitches | 20,000 | | | |
| Feed mechanism | Stepping feed, pulse motor drive | | | |
| Height of work clamp | Solenoid type 25 mm Pneumatic type 30 mm | Pneumatic type 30 mm | | |
| Stepping presser foot lift stroke | 0, 3.0 (Factory setting) - 8.0 mm | | | |
| No. of stitches | 20,000 stitches per pattern (max. 100 patterns, 360,000 stitches / 2HD floppy disk) | | | |
| Needle | DP × 5, DP × 17, MR | | | |
| Minimum resolution | 0.05 mm | | | |
| Test function | Operation test function provided for use with low speed drive | | | |
| Safety device | Automatic stop function for activation in the event of misoperation realized with intermediate stop function and safety circuits | | | |
| Motor | Three-phase 400 W induction motor | | | |
| Data storage method | 3.5 floppy disk 2HD / 1.44 MB, 2DD | | | |
| Pattern editing functions | Line, curve, circle, arc, zigzag stitch, double stitch, parallel stitch, offset, resizing, rotating, etc. | | | |
| Power supply | Single-phase 110 V, 220 V, 230V, 240 V | | 3-phase 220 V, 380 V, 400 V, 600 VA | |
| Air pressure | 0.49 Mpa 1.8 l / min | | | |
| Machine dimensions | Standing : 1,200 (W) × 590 (D) × 1,350 (H) mm Sitting : 1,200 (W) × 590 (D) × 1,120 (H) mm | | | |
| Weight | Machine head : 60 kg (BAS-311E), 65 kg (BAS-311EL, BAS-326E, BAS-326EL) Control box 10-20 kg (Depending on voltage) | | | |

BAS-311E-

| Work clamp drive | | Application | |
|------------------|--------------------------------|-------------|-----------------------|
| 1 | Solenoid type (Unit type) | 1 | Heavy materials |
| 2 | Pneumatic type (Separate type) | 2 | Medium materials |
| | | 3 | Extra heavy materials |

*Only pneumatic specifications are available for sewing extra heavy materials.

BAS-311EL-

| Application | |
|-------------|-----------------|
| 1 | Heavy materials |

BAS-326E-

| Application | |
|-------------|------------------|
| 1 | Heavy materials |
| 2 | Medium materials |

BAS-326EL22-

| Application | |
|-------------|------------------|
| 1 | Heavy materials |
| 2 | Medium materials |

*The BAS-311EL, 326E, 326EL is available in pneumatic specification only.

*For BAS-311E, 311EL, 326E, 326EL pneumatic specification, compressor type is also available.

GAUGE PARTS LIST

Presser foot

[Models BAS-311E, 311EL, 326E, 326EL]

| A | S42843-001*1*2 | B | S42844-001 | C | S42845-001 | D | S42846-001 |
|----|----------------|---|------------|---|------------|---|------------|
| | | | | | | | |
| E | S42847-001 | F | 157237-001 | G | 158592-001 | J | S42848-001 |
| | | | | | | | |
| XY | S42849-001*3 | | | | | | |
| | | | | | | | |

Needle hole plate

[Models BAS-311E, 311EL, 326E, 326EL]

| A | S10211-001 | D | S29997-001 | E | S10212-101*1*2 | ED | S30925-001 | F | S10213-001*1*2 |
|----|------------|---|------------|----------------------------|----------------|----------------------------------|--------------|-----------------------------|----------------|
| | | | | <p>For heavy materials</p> | | | | <p>For medium materials</p> | |
| FD | S30926-001 | H | S30450-001 | L | S25127-001 | M | S34348-001*1 | | |
| | | | | | | <p>For extra heavy materials</p> | | | |

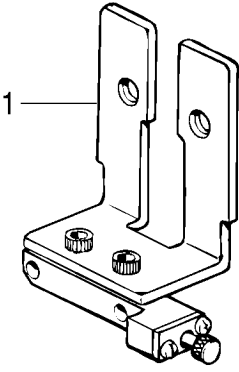
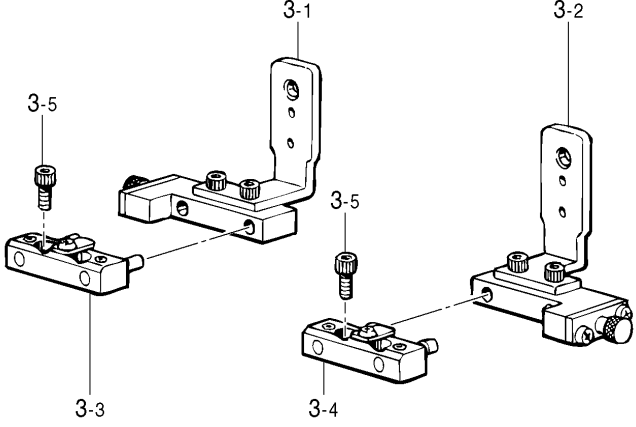
The *1 symbol is for standard part for BAS-311E & 311EL.

The *2 symbol is for standard part for BAS-326E & 326EL.

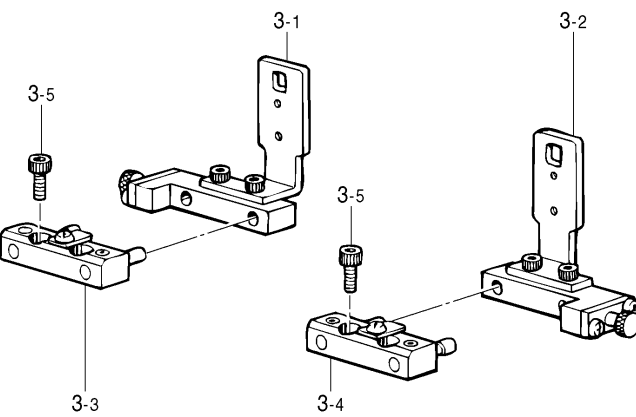
The *3 symbol is for horizontal wiper.

One-touch work clamp (Option parts)

[Models BAS-311E,311EL]

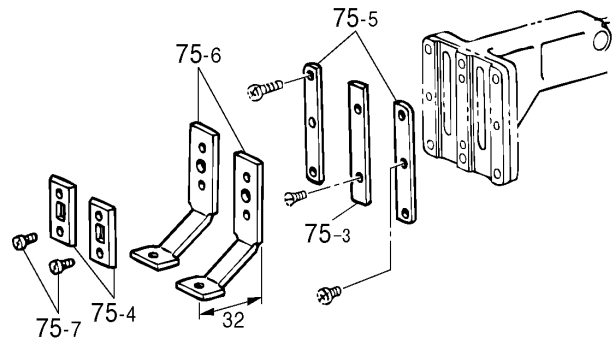
| | Ref. No. | Part name | Part code | Qty |
|---|----------|---------------------------|------------|-----|
|  | 1 | One-touch holder assy, UN | S24612-001 | 1 |
|  | 3 | One-touch work clamp set | S44794-001 | 1 |
| | 3-1 | One-touch holder assy, L | S20280-101 | 1 |
| | 3-2 | One-touch holder assy, R | S20286-101 | 1 |
| | 3-3 | Work clamp holder assy, L | S20289-101 | 2 |
| | 3-4 | Work clamp holder assy, R | S20293-101 | 2 |
| | 3-5 | Bolt, socket SM 4.37 x 8 | 018680-822 | 8 |

[Models BAS-326E, 326EL]

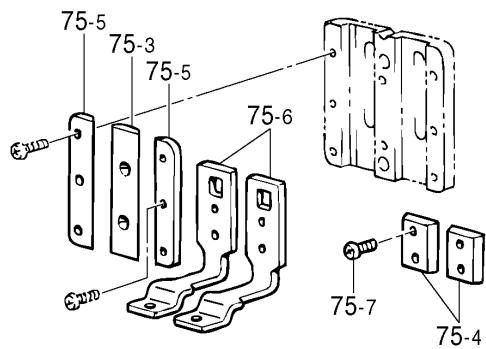
| | Ref. No. | Part name | Part code | Qty |
|---|----------|---------------------------|------------|-----|
|  | 3 | One-touch work clamp set | S44414-001 | 1 |
| | 3-1 | One-touch holder assy, L | S44415-001 | 1 |
| | 3-2 | One-touch holder assy, R | S44417-001 | 1 |
| | 3-3 | Work clamp holder assy, L | S20289-101 | 2 |
| | 3-4 | Work clamp holder assy, R | S20293-101 | 2 |
| | 3-5 | Bolt, socket SM 4.37 x 8 | 018680-822 | 8 |

Work clamp

[Models BAS-311E,311EL]

|  | Ref. No. | Part name | Part code | Qty |
|---|----------|----------------------------|------------|-----|
| | 75-3 | Work clamp guide bracket | S42798-001 | 1 |
| | 75-4 | Work clamp adjusting plate | S42799-001 | 2 |
| | 75-5 | Adjusting plate | S42800-001 | 2 |
| | 75-6 | Work clamp, SE - OP | S42802-001 | 2 |
| | 75-7 | Screw, pan SM3.57-40 x5 | 062670-512 | 4 |

[Models BAS-326E, 326EL]

|  | Ref. No. | Part name | Part code | Qty |
|---|----------|----------------------------|------------|-----|
| | 75-3 | Work clamp guide bracket | S42798-001 | 1 |
| | 75-4 | Work clamp adjusting plate | S44451-001 | 2 |
| | 75-5 | Adjusting plate | S42800-001 | 2 |
| | 75-6 | Work clamp, SE - OP | S44453-001 | 2 |
| | 75-7 | Screw, pan SM3.57-40 x5 | 062670-512 | 4 |

*These optional parts are used to prevent work clamp looseness.

Blank for work clamp

[Models BAS-311E]

| | Part name | Part code | Q'ty |
|--|---|------------|------|
| | < Thick 3.2 mm > Work clamp blank, A-32 | S43824-001 | 1 |
| | < Thick 4.0 mm > Work clamp blank, A-4.0 | S43826-001 | 1 |
| | < Thick 5.0 mm > Work clamp blank, A-5.0 | S43828-001 | 1 |
| | < Thick 3.2 mm > Work clamp blank, B-32 | S43825-001 | 1 |
| | < Thick 4.0 mm > Work clamp blank, B-4.0 | S43827-001 | 1 |
| | < Thick 5.0 mm > Work clamp blank, B-5.0 | S43829-001 | 1 |
| | < Thick 6.0 mm > Work clamp blank, -6.0 | S43830-001 | 1 |

Blank for work clamp

[Models BAS-311EL]

| | Part name | Part code | Q'ty |
|------------------|---|------------|------|
| <p>For left</p> | < Thick 3.2 mm > Work clamp blank, A-3.2L 311L | S45604-001 | 1 |
| | < Thick 4.0 mm > Work clamp blank, A-4.0L 311L | S45608-001 | 1 |
| | < Thick 5.0 mm > Work clamp blank, A-5.0L 311L | S45612-001 | 1 |
| <p>For right</p> | < Thick 3.2 mm > Work clamp blank, A-3.2R 311L | S45605-001 | 1 |
| | < Thick 4.0 mm > Work clamp blank, A-4.0R 311L | S45609-001 | 1 |
| | < Thick 5.0 mm > Work clamp blank, A-5.0R 311L | S45613-001 | 1 |
| <p>For left</p> | < Thick 3.2 mm > Work clamp blank, B-3.2L 311L | S45606-001 | 1 |
| | < Thick 4.0 mm > Work clamp blank, B-4.0L 311L | S45610-001 | 1 |
| | < Thick 5.0 mm > Work clamp blank, B-5.0L 311L | S45614-001 | 1 |
| | < Thick 6.0 mm > Work clamp blank, 6.0L 311L | S45616-001 | 1 |
| <p>For right</p> | < Thick 3.2 mm > Work clamp blank, B-3.2R 311L | S45607-001 | 1 |
| | < Thick 4.0 mm > Work clamp blank, B-4.0R 311L | S45611-001 | 1 |
| | < Thick 5.0 mm > Work clamp blank, B-5.0R 311L | S45615-001 | 1 |
| | < Thick 6.0 mm > Work clamp blank, 6.0R 311L | S45617-001 | 1 |

Blank for work clamp

[Models BAS-326E]

| | Part name | Part code | Q'ty |
|--|--|------------|------|
| | < Thick 3.2 mm > Work clamp blank, SE A – 32 | S44391-001 | 1 |
| | < Thick 4.0 mm > Work clamp blank, SE A – 4.0 | S44393-001 | 1 |
| | < Thick 5.0 mm > Work clamp blank, SE A – 5.0 | S44395-001 | 1 |
| | < Thick 3.2 mm > Work clamp blank, SE B – 32 | S44392-001 | 1 |
| | < Thick 4.0 mm > Work clamp blank, SE B – 4.0 | S44394-001 | 1 |
| | < Thick 5.0 mm > Work clamp blank, SE B – 5.0 | S44396-001 | 1 |
| | < Thick 6.0 mm > Work clamp blank, SE B – 6.0 | S44397-001 | 1 |
| | < Thick 3.2 mm > Work clamp blank, UN A – 32 | S44398-001 | 1 |
| | < Thick 4.0 mm > Work clamp blank, UN A – 4.0 | S44400-001 | 1 |
| | < Thick 5.0 mm > Work clamp blank, UN A – 5.0 | S44402-001 | 1 |
| | < Thick 3.2 mm > Work clamp blank, UN B – 32 | S44399-001 | 1 |
| | < Thick 4.0 mm > Work clamp blank, UN B – 4.0 | S44401-001 | 1 |
| | < Thick 5.0 mm > Work clamp blank, UN B – 5.0 | S44403-001 | 1 |
| | < Thick 6.0 mm > Work clamp blank, UN B – 6.0 | S44404-001 | 1 |

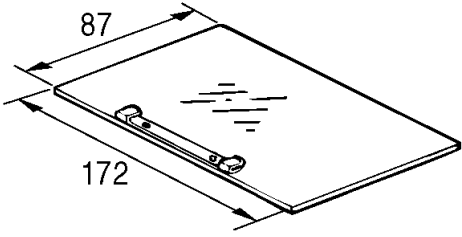
Blank for work clamp

[Models BAS-326EL]

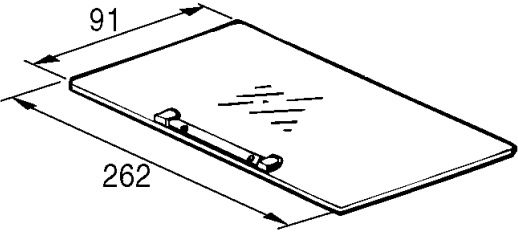
| | Part name | Part code | Q'ty |
|--|--|------------|------|
| | < Thick 3.2 mm > Work clamp blank, SE A – 32 | S51051-001 | 1 |
| | < Thick 4.0 mm > Work clamp blank, SE A – 4.0 | S51053-001 | 1 |
| | < Thick 5.0 mm > Work clamp blank, SE A – 5.0 | S51055-001 | 1 |
| | < Thick 6.0 mm > Work clamp blank, SE A – 6.0 | S51057-001 | 1 |
| | < Thick 3.2 mm > Work clamp blank, SE B – 32 | S51052-001 | 1 |
| | < Thick 4.0 mm > Work clamp blank, SE B – 4.0 | S51054-001 | 1 |
| | < Thick 5.0 mm > Work clamp blank, SE B – 5.0 | S51056-001 | 1 |
| | < Thick 6.0 mm > Work clamp blank, SE B – 6.0 | S51058-001 | 1 |
| | < Thick 3.2 mm > Work clamp blank, UN A – 32 | S51059-001 | 1 |
| | < Thick 4.0 mm > Work clamp blank, UN A – 4.0 | S51061-001 | 1 |
| | < Thick 5.0 mm > Work clamp blank, UN A – 5.0 | S51063-001 | 1 |
| | < Thick 6.0 mm > Work clamp blank, UN A – 6.0 | S51065-001 | 1 |
| | < Thick 3.2 mm > Work clamp blank, UN B – 32 | S51060-001 | 1 |
| | < Thick 4.0 mm > Work clamp blank, UN B – 4.0 | S51062-001 | 1 |
| | < Thick 5.0 mm > Work clamp blank, UN B – 5.0 | S51064-001 | 1 |
| | < Thick 6.0 mm > Work clamp blank, UN B – 6.0 | S51066-001 | 1 |

One-touch cassette clamp assy

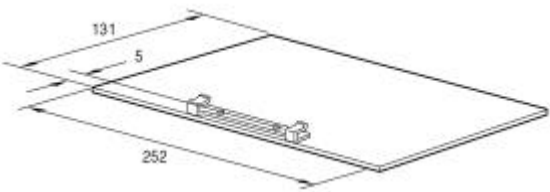
[Models BAS-311E]

| | Part name | Part code | Q'ty |
|---|---|------------|------|
|  | < Thick 0.5 mm > Cassette clamp assy, OT 311 | S43691-001 | 1 |
| | < Thick 1.0 mm > Cassette clamp assy, OT 311 | S43691-002 | 1 |
| | < Thick 2.0 mm > Cassette clamp assy, OT 311 | S43691-003 | 1 |

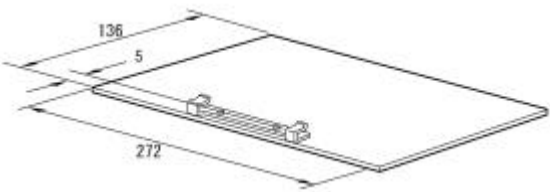
[Models BAS-311EL]

| | Part name | Part code | Q'ty |
|---|--|------------|------|
|  | < Thick 0.5 mm > Cassette clamp assy, OT 311L | S45591-001 | 1 |
| | < Thick 1.0 mm > Cassette clamp assy, OT 311L | S45593-001 | 1 |
| | < Thick 2.0 mm > Cassette clamp assy, OT 311L | S45595-001 | 1 |

[Models BAS-326E]

| | Part name | Part code | Q'ty |
|---|---|------------|------|
|  | < Thick 0.5 mm > Cassette clamp plate assy, 326 - OT | S44374-001 | 1 |
| | < Thick 1.0 mm > Cassette clamp plate assy, 326 - OT | S44376-001 | 1 |
| | < Thick 2.0 mm > Cassette clamp plate assy, 326 - OT | S44378-001 | 1 |

[Models BAS-326EL]

| | Part name | Part code | Q'ty |
|---|---|------------|------|
|  | < Thick 0.5 mm > Cassette clamp plate assy, 326 - OT | S51067-001 | 1 |
| | < Thick 1.0 mm > Cassette clamp plate assy, 326 - OT | S51069-001 | 1 |
| | < Thick 2.0 mm > Cassette clamp plate assy, 326 - OT | S51071-001 | 1 |

For feed plate attachment

[Models BAS-311E]

| | Part name | Part code | Q'ty |
|--|---|-------------------|----------|
| | <p>< Thick 1.2 mm > Feed plate blank, A 311</p> | <p>S43697-001</p> | <p>1</p> |
| | <p>< Thick 1.2 mm > Feed plate blank, B 311</p> | <p>S43698-001</p> | <p>1</p> |
| | <p>< Thick 1.2 mm > Feed plate blank, C 311</p> | <p>S43699-001</p> | <p>1</p> |
| | <p>Feed plate inner plate</p> | <p>S43823-001</p> | <p>1</p> |
| | <p>Feed plate setting bracket</p> | <p>S12586-001</p> | <p>1</p> |

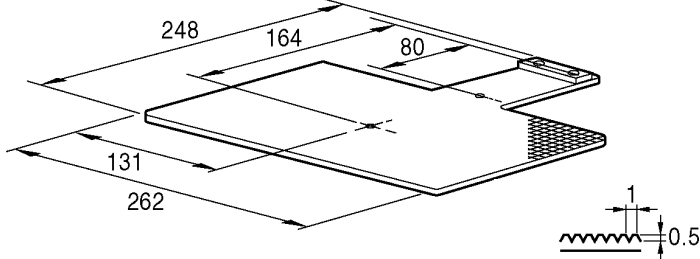
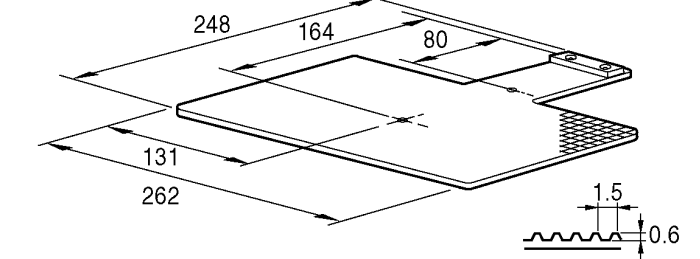
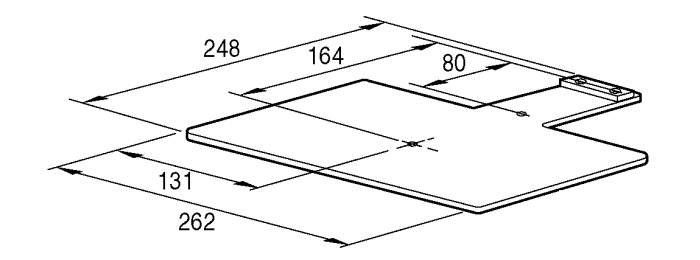
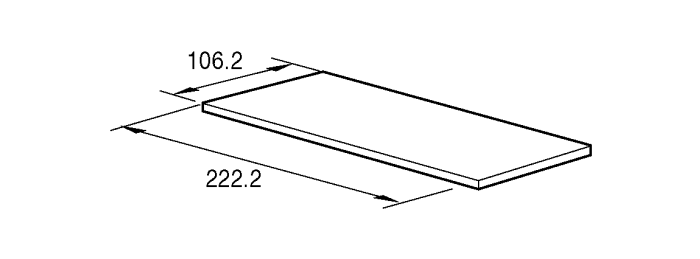
For feed plate attachment

[Models BAS-311EL]

| | Part name | Part code | Q'ty |
|--|--|-------------------|----------|
| | <p>< Thick 1.2 mm > Feed plate blank, A 311L</p> | <p>S45597-001</p> | <p>1</p> |
| | <p>< Thick 1.2 mm > Feed plate blank, B 311L</p> | <p>S45598-001</p> | <p>1</p> |
| | <p>< Thick 1.2 mm > Feed plate blank, C 311L</p> | <p>S45599-001</p> | <p>1</p> |
| | <p>Feed plate inner plate</p> | <p>S45603-001</p> | <p>1</p> |

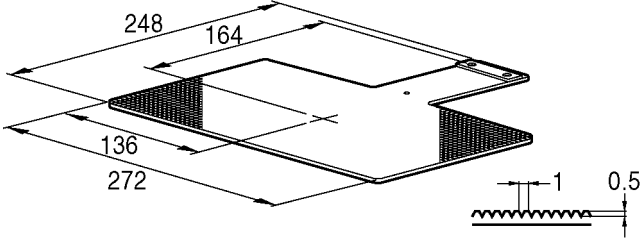
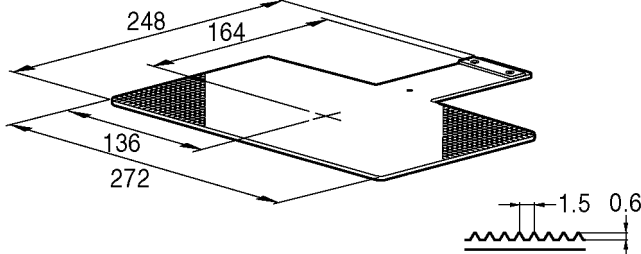
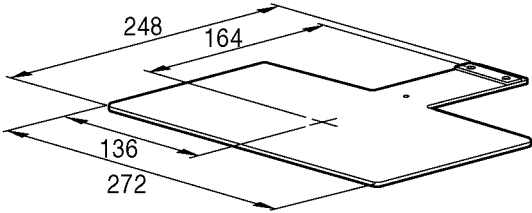
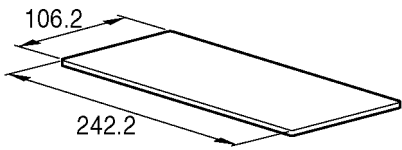
For feed plate attachment

[Models BAS-326E]

| | Part name | Part code | Qty |
|---|--|-------------------|----------|
|  | <p>< Thick 1.2 mm > Feed plate blank, 326A</p> | <p>S44405-001</p> | <p>1</p> |
|  | <p>< Thick 1.2 mm > Feed plate blank, 326B</p> | <p>S44406-001</p> | <p>1</p> |
|  | <p>< Thick 1.2 mm > Feed plate blank, 326C</p> | <p>S44407-001</p> | <p>1</p> |
|  | <p>Feed plate inner plate</p> | <p>S44390-000</p> | <p>1</p> |

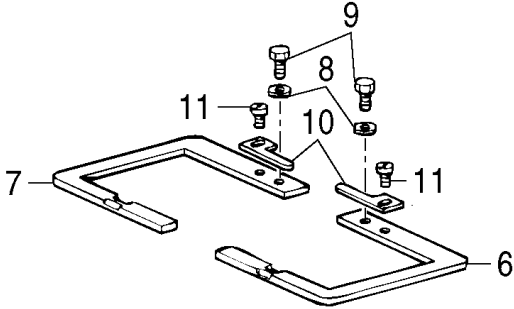
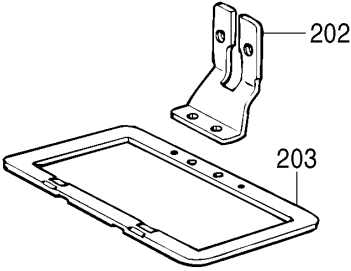
For feed plate attachment

[Models BAS-326EL]

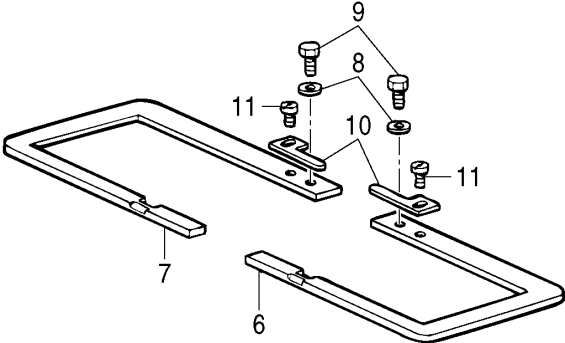
| | Part name | Part code | Qty |
|---|--|-------------------|----------|
|  | <p>< Thick 1.2 mm > Feed plate blank, 326A</p> | <p>S51045-001</p> | <p>1</p> |
|  | <p>< Thick 1.2 mm > Feed plate blank, 326B</p> | <p>S51046-001</p> | <p>1</p> |
|  | <p>< Thick 1.2 mm > Feed plate blank, 326C</p> | <p>S51047-001</p> | <p>1</p> |
|  | <p>Feed plate inner plate</p> | <p>S48555-000</p> | <p>1</p> |

Work clamp

[Models BAS-311E]

| | Ref. No. | Part name | Part code | Q'ty |
|---|----------|--------------------------|------------|------|
|  | 6 | Work clamp, R 311 | S42772-001 | 1 |
| | 7 | Work clamp, L 311 | S42773-001 | 1 |
| | 8 | Washer, plain M 4.37 | 025680-232 | 2 |
| | 9 | Bolt, SM4.37 x 7 | 153403-002 | 2 |
| | 10 | Positioning plate | S10065-001 | 2 |
| | 11 | Screw, pan SM4.37-40 x 5 | 062680-512 | 2 |
|  | 202 | Work clamp, UN | S43986-001 | 1 |
| | 203 | Work clamp, 311 UN | S43987-001 | 1 |

[Models BAS-311EL]

| | Ref. No. | Part name | Part code | Q'ty |
|---|----------|--------------------------|------------|------|
|  | 6 | Work clamp, R 311L | S44614-001 | 1 |
| | 7 | Work clamp, L 311L | S44613-001 | 1 |
| | 8 | Washer, plain M 4.37 | 025680-232 | 2 |
| | 9 | Bolt, SM4.37 x 7 | 153403-002 | 2 |
| | 10 | Positioning plate | S10065-001 | 2 |
| | 11 | Screw, pan SM4.37-40 x 5 | 062680-512 | 2 |

Work clamp

[Models BAS-326E]

| | Ref. No. | Part name | Part code | Q'ty |
|--|----------|----------------------|------------|------|
| | 6 | Work clamp, R 326 | S44431-001 | 1 |
| | 7 | Work clamp, L 326 | S44432-001 | 1 |
| | 8 | Washer, plain M 4.37 | 025680-232 | 2 |
| | 9 | Bolt, SM4.37 x 7 | 153403-002 | 2 |
| | 10 | Positioning plate | S10065-001 | 2 |
| | 5 | Work clamp, UN 326 | S44448-001 | 1 |

Work clamp

[Models BAS-326EL]

| | Ref. No. | Part name | Part code | Q'ty |
|--|----------|----------------------|------------|------|
| | 6 | Work clamp, R 326 | S51030-001 | 1 |
| | 7 | Work clamp, L 326 | S51031-001 | 1 |
| | 8 | Washer, plain M 4.37 | 025680-232 | 2 |
| | 9 | Bolt, SM4.37 x 7 | 153403-002 | 2 |
| | 10 | Positioning plate | S10065-001 | 2 |
| | 5 | Work clamp, UN 326 | S51042-001 | 1 |

For one-touch work clamp

[Models BAS-311E, 311EL, 326E, 326EL]

| | Part name | Part code | Q'ty |
|--|------------------------------|------------|------|
| | OT – feed plate bracket assy | S14841-001 | 1 |

Feed plate blank for one-touch work clamp

[Models BAS-311E]

| | Part name | Part code | Q'ty |
|--|--|------------|------|
| | <p>< Thick 1.2 mm > OT – feed plate blank, A</p> | S43700-001 | 1 |
| | <p>< Thick 1.2 mm > OT – feed plate blank, B</p> | S43821-001 | 1 |
| | <p>< Thick 1.2 mm > OT – feed plate blank, C</p> | S43822-001 | 1 |

[Models BAS-311EL]

| | Part name | Part code | Q'ty |
|--|---|------------|------|
| | <p>< Thick 1.2 mm > OT – feed plate blank, A 311L</p> | S45600-001 | 1 |
| | <p>< Thick 1.2 mm > OT – feed plate blank, B 311L</p> | S45601-001 | 1 |
| | <p>< Thick 1.2 mm > OT – feed plate blank, C 311L</p> | S45602-001 | 1 |

Feed plate blank for one-touch work clamp

[Models BAS-326E]

| | Part name | Part code | Q'ty |
|--|--|------------|------|
| | <p>< Thick 1.2 mm > OT – feed plate blank, A</p> | S44408-001 | 1 |
| | <p>< Thick 1.2 mm > OT – feed plate blank, B</p> | S44409-001 | 1 |
| | <p>< Thick 1.2 mm > OT – feed plate blank, C</p> | S44410-001 | 1 |

Feed plate blank for one-touch work clamp

[Models BAS-326EL]

| | Part name | Part code | Q'ty |
|--|--|------------|------|
| | <p>< Thick 1.2 mm > OT – feed plate blank, A</p> | S51048-001 | 1 |
| | <p>< Thick 1.2 mm > OT – feed plate blank, B</p> | S51049-001 | 1 |
| | <p>< Thick 1.2 mm > OT – feed plate blank, C</p> | S51050-001 | 1 |

For sewing the bar tack "61.5 x 86.5"

[Models BAS-311E,311EL]

| | Ref. No. | Part name | Part code | Q'ty |
|--|----------|-------------------------|------------|------|
| | 159 | Work clamp, SR | S14254-001 | 1 |
| | 160 | Work clamp, SL | S14255-002 | 1 |
| | 163 | OT – work clamp assy, D | S14846-003 | 2 |
| | 164 | Screw, flange SM4.37 | 149168-001 | 2 |

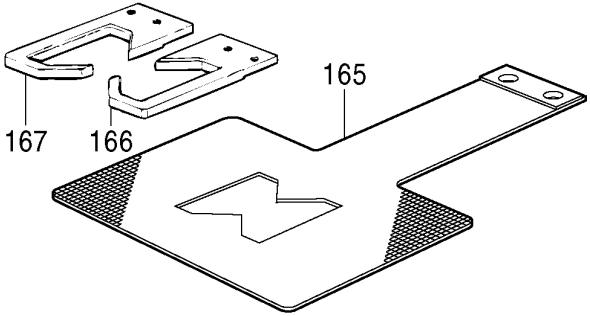
Feed plate for one-touch work clamp

[Models BAS-311E,311EL]

| | Part name | Part code | Q'ty |
|--|--|------------|------|
| | For denim < Thick 1.2 mm > OT – feed plate blank, DE | S14253-001 | 1 |
| | For general < Thick 1.2 mm > OT – feed plate | S14252-001 | 1 |

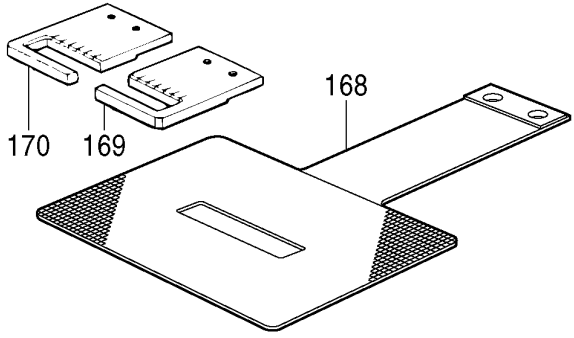
For one-touch work clamp
For basting the vent

[Models BAS-311E,311EL]

| | Ref. No. | Part name | Part code | Q'ty |
|---|----------|---------------|------------|------|
|  | 165 | Feed plate | S13092-001 | 1 |
| | 166 | Work clamp, R | S13090-001 | 1 |
| | 167 | Work clamp, L | S13091-001 | 1 |

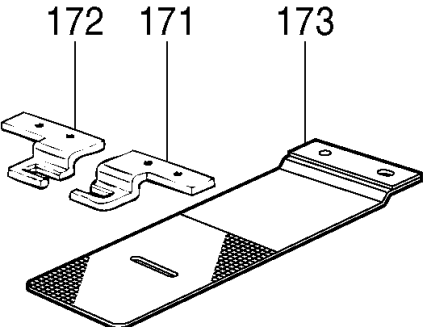
For attaching the thread loop

[Models BAS-311E,311EL]

| | Ref. No. | Part name | Part code | Q'ty |
|--|----------|---------------|------------|------|
|  | 168 | Feed plate | S13098-001 | 1 |
| | 169 | Work clamp, R | S13096-001 | 1 |
| | 170 | Work clamp, L | S13097-001 | 1 |

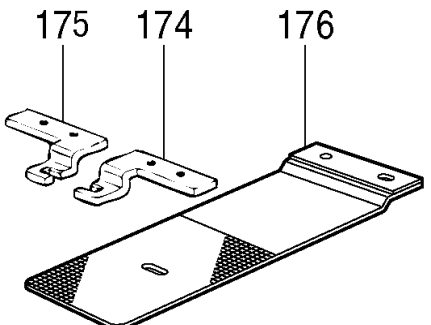
For sewing the bar tack "23 x 6"

[Models BAS-311E,311EL]

| | Ref. No. | Part name | Part code | Q'ty |
|---|----------|------------------------|------------|------|
|  | 171 | Work clamp, R311 - 004 | S23818-001 | 1 |
| | 172 | Work clamp, L311 - 004 | S23819-001 | 1 |
| | 173 | Feed plate, 311 - 004 | S23820-001 | 1 |

For sewing the bar tack "10.4 x 4.4"

[Models BAS-311E,311EL]

| | Ref. No. | Part name | Part code | Q'ty |
|---|----------|------------------------|------------|------|
|  | 174 | Work clamp, R311 - 005 | S23821-001 | 1 |
| | 175 | Work clamp, L311 - 005 | S23822-001 | 1 |
| | 176 | Feed plate, 311 - 005 | S23823-001 | 1 |

For one-touch work clamp
 For sewing the bar tack "Semi-circle"

[Models BAS-311E,311EL]

| | Ref. No. | Part name | Part code | Q'ty |
|--|----------|-----------------------|------------|------|
| | 177 | Work clamp, R311-006 | S23824-001 | 1 |
| | 178 | Work clamp, L311-006 | S23825-001 | 1 |
| | 179 | Feed plate, 311 - 006 | S23826-001 | 1 |

For sewing the bar tack "6 x 23"

[Models BAS-311E,311EL]

| | Ref. No. | Part name | Part code | Q'ty |
|--|----------|-----------------------|------------|------|
| | 180 | Work clamp, R311-007 | S23827-001 | 1 |
| | 181 | Work clamp, L311-007 | S23828-001 | 1 |
| | 182 | Feed plate, 311 - 007 | S23829-001 | 1 |

For sewing the bar tack "X - cross"

[Models BAS-311E,311EL]

| | Ref. No. | Part name | Part code | Q'ty |
|--|----------|-----------------------|------------|------|
| | 183 | Work clamp, R311-008 | S23830-001 | 1 |
| | 184 | Work clamp, L311-008 | S23831-001 | 1 |
| | 185 | Feed plate, 311 - 008 | S23832-001 | 1 |

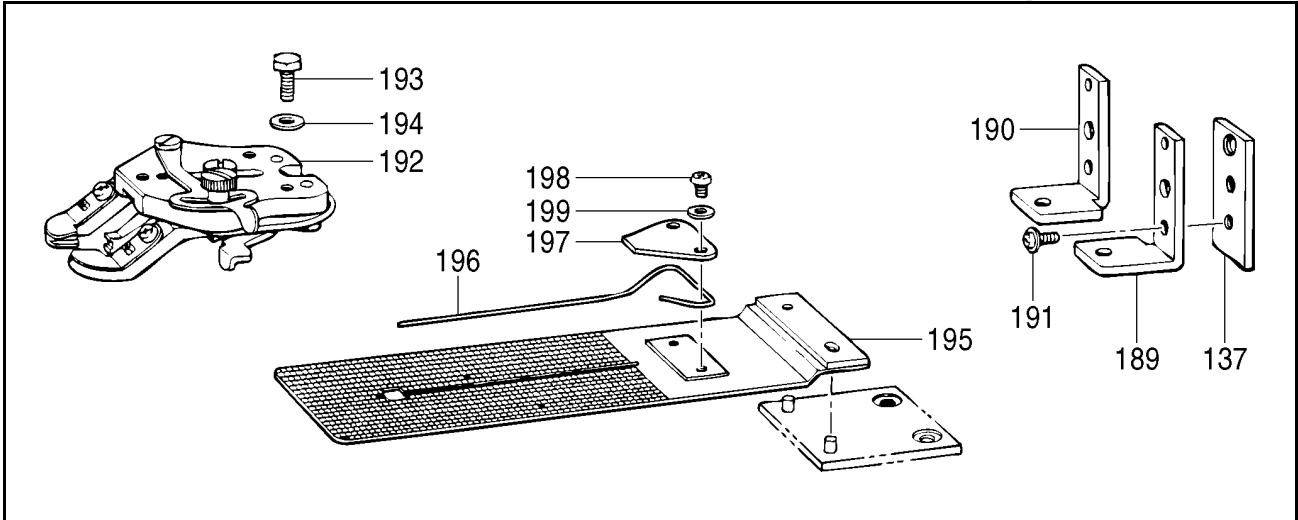
For sewing the bar tack "Triangle"

[Models BAS-311E,311EL]

| | Ref. No. | Part name | Part code | Q'ty |
|--|----------|-----------------------|------------|------|
| | 186 | Work clamp, R311-009 | S23833-001 | 1 |
| | 187 | Work clamp, L311-009 | S23834-001 | 1 |
| | 188 | Feed plate, 311 - 009 | S23835-001 | 1 |

For attaching the button

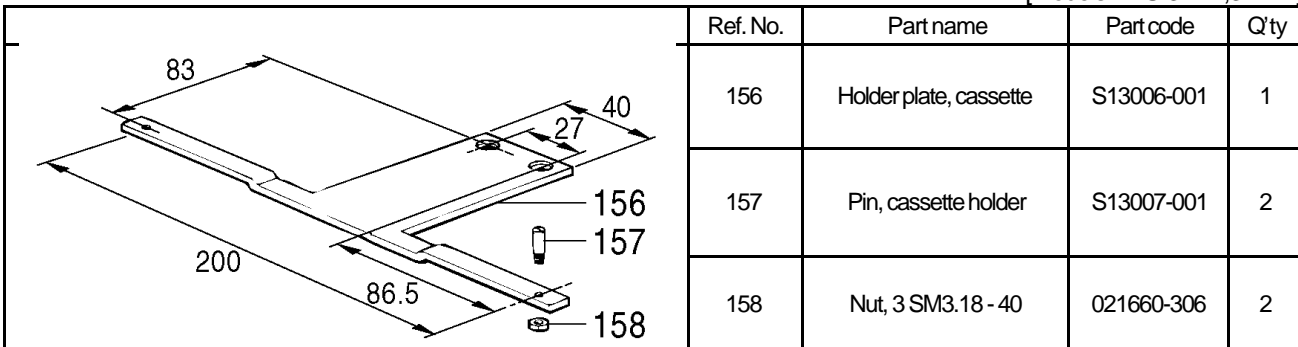
[Models BAS-311E,311EL]



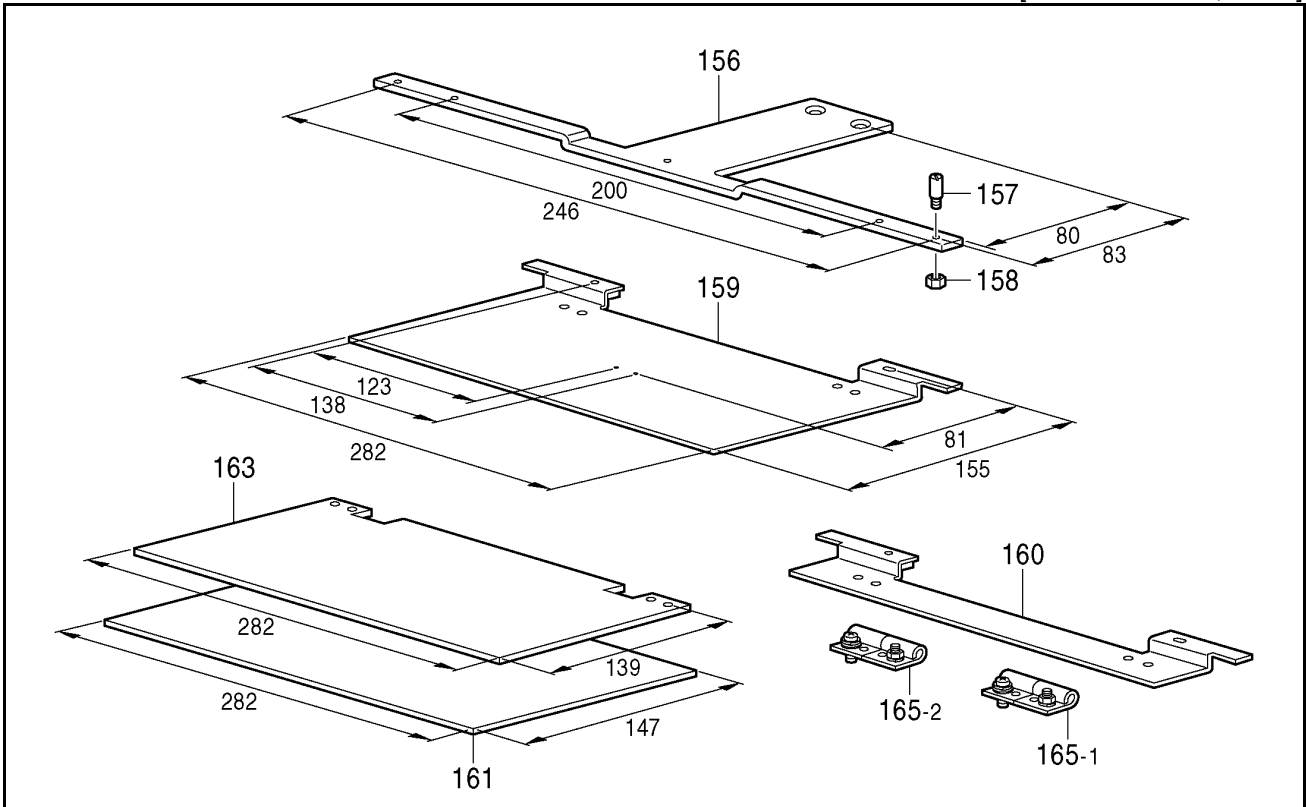
| Ref. No. | Partname | Partcode | Q'ty |
|----------|----------------------------|------------|------|
| 137 | Button clamp holder | S31365-000 | 2 |
| 189 | BU work clamp, U - R | S14848-001 | 1 |
| 190 | BU work clamp, U - L | S14849-001 | 1 |
| 191 | Screw, flange SM4.37 | 149168-001 | 2 |
| 192 | Button clamp assy | S30015-001 | 1 |
| 193 | Bolt, SM4.76 | 117363-001 | 2 |
| 194 | Washer, plain M 4.76 | 025710-232 | 2 |
| 195 | OT - feed plate, 7 plain | S14069-001 | 1 |
| 196 | Spring, 1.2 | 153871-001 | 1 |
| 197 | Spring | S14073-001 | 1 |
| 198 | Screw, pan SM3.57 - 40 x 5 | 062670-512 | 2 |
| 199 | Washer, plain 4 | 102707-002 | 2 |

For one-touch work clamp

[Models BAS-311E,311EL]



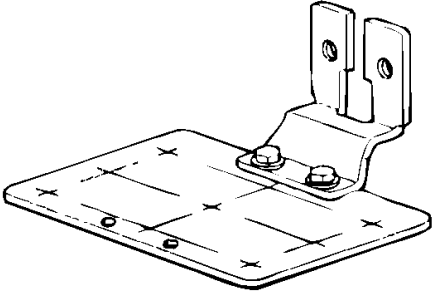
| Ref. No. | Part name | Partcode | Q'ty |
|----------|------------------------|------------|------|
| 156 | Holder plate, cassette | S13006-001 | 1 |
| 157 | Pin, cassette holder | S13007-001 | 2 |
| 158 | Nut, 3 SM3.18 - 40 | 021660-306 | 2 |



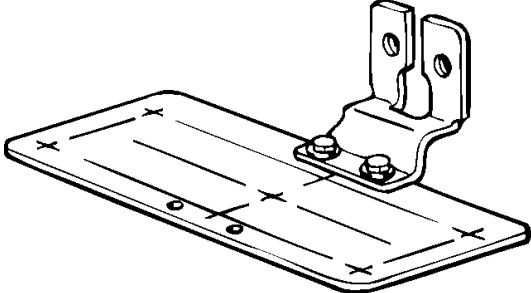
| Ref. No. | Part name | Part code | Q'ty |
|----------|---|------------|------|
| 156 | Cassette holder plate | S44411-001 | 1 |
| 157 | Pin | S13007-001 | 2 |
| 158 | Nut, 3 SM3.18 - 40 | 021660-306 | 2 |
| 159 | Cassette plate, D - A 180 | S14392-201 | 1 |
| 160 | Cassette plate, D - B 180 | S14388-101 | 1 |
| 161 | < Thick 1.0 mm > Cassette lower plate, D - A 180 | S14386-000 | 1 |
| 161 | < Thick 2.0 mm > Cassette lower plate, D - B 180 | S14387-000 | 1 |
| 163 | < Thick 1.0 mm > Cassette plate, U - A 180 | S14389-000 | 1 |
| 163 | < Thick 2.0 mm > Cassette plate, U - B 180 | S14390-000 | 1 |
| 165-1 | Hinge assy, R | 152632-001 | 1 |
| 165-2 | Hinge assy, L | 152633-001 | 1 |

For gauge parts

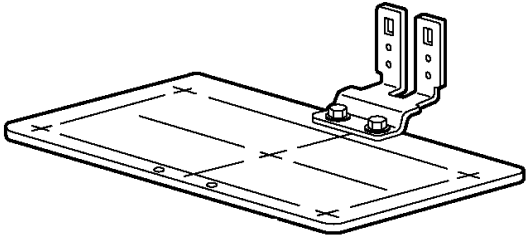
[Models BAS-311E]

| | Part name | Part code | Q'ty |
|---|----------------------------------|------------|------|
|  | H – position standard plate assy | S42888-001 | 1 |

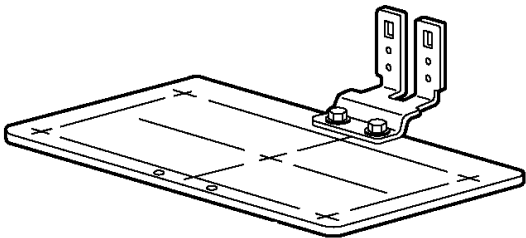
[Models BAS-311EL]

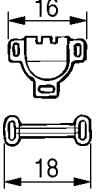
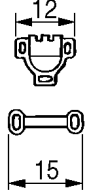
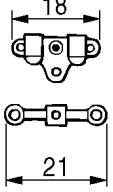
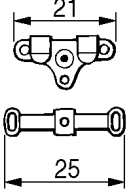
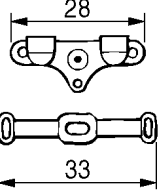

| | Part name | Part code | Q'ty |
|---|----------------------------------|------------|------|
|  | H – position standard plate assy | S44608-001 | 1 |

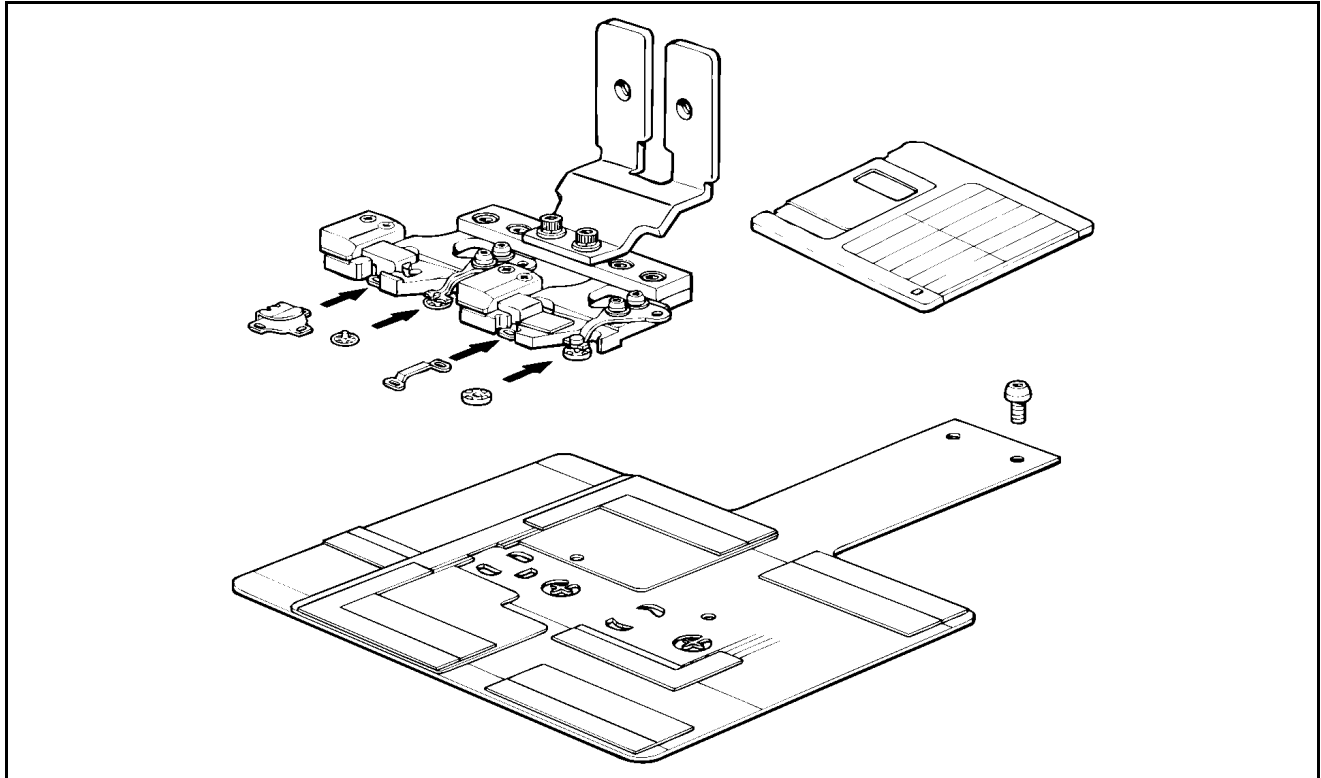
[Models BAS-326E]

| | Part name | Part code | Q'ty |
|---|----------------------------------|------------|------|
|  | H – position standard plate assy | S44366-001 | 1 |

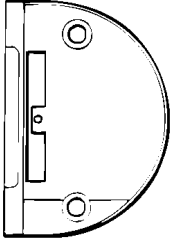
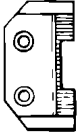
[Models BAS-326EL]

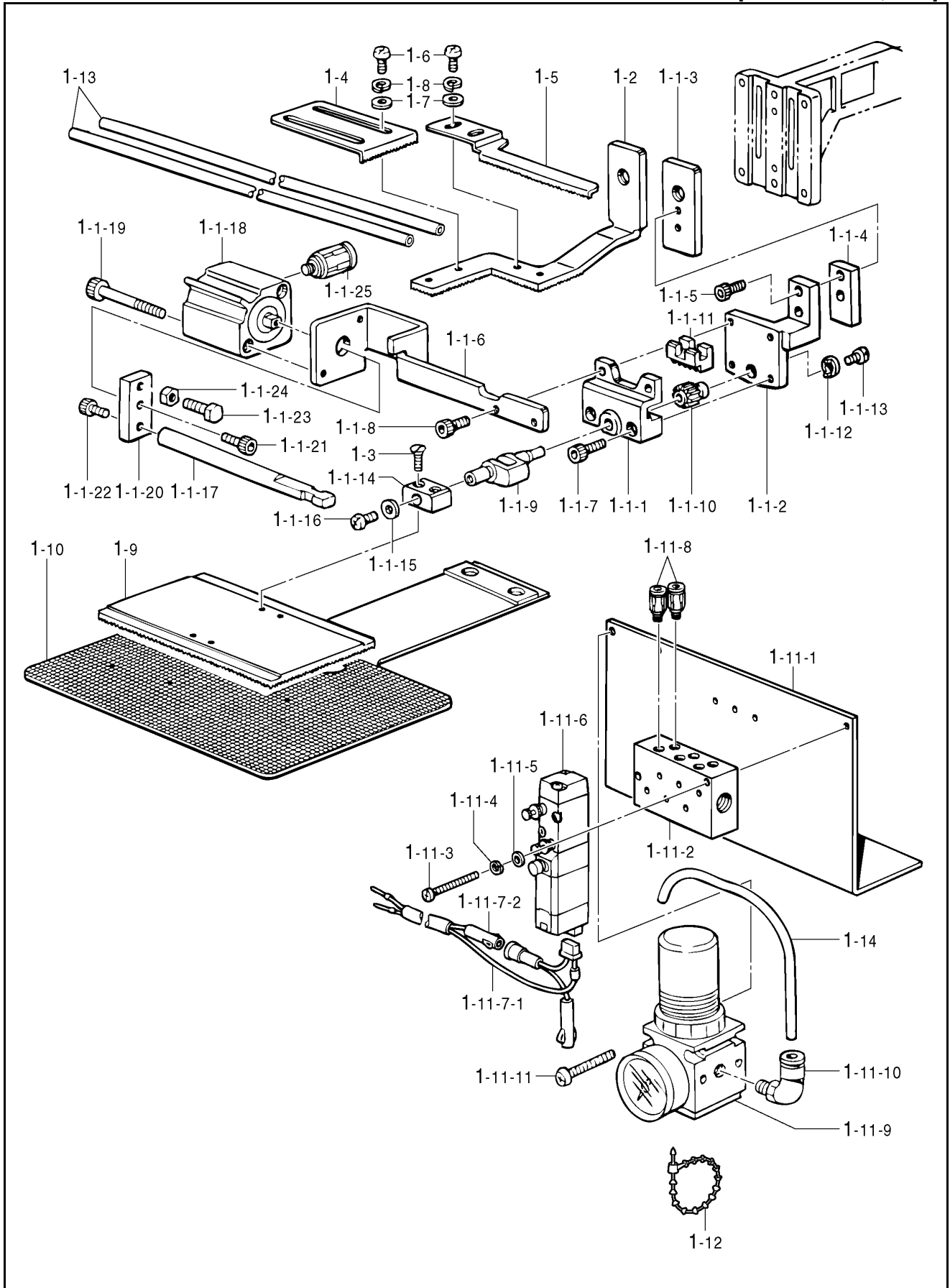
| | Part name | Part code | Q'ty |
|---|----------------------------------|------------|------|
|  | H – position standard plate assy | S51043-001 | 1 |

| Part name | 311 – S.H device set | | | | |
|----------------|--|---|---|---|---|
| | M - 508K | M - 528K | M - 520K | M - 525K | M - 533K |
| Part code | S42803-001 | S42806-001 | S42808-001 | S42810-001 | S42812-001 |
| Hook size (mm) |  |  |  |  |  |
| Snap size (mm) | OM Ø7.6, Ø8.6  | | | | |



For sewing the belt with hook

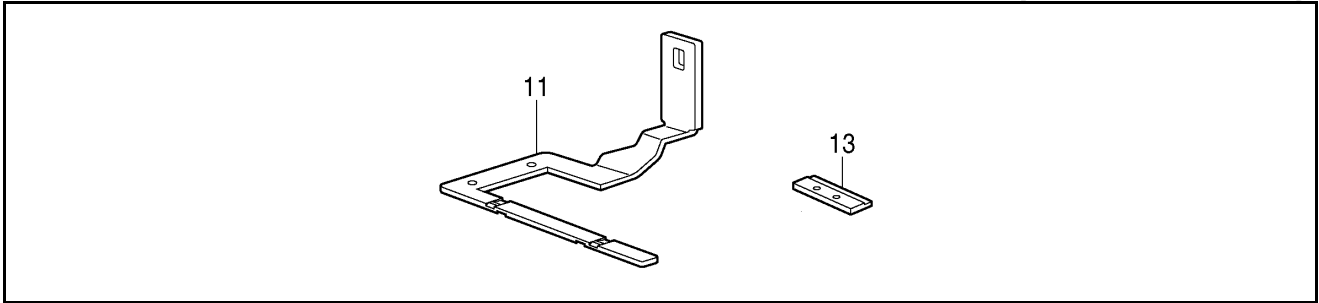
| | Part name | Part code | Q'ty |
|---|-----------------|------------|------|
|  | Needle plate, H | S13099-001 | 1 |
|  | Feed dog, H | S13100-001 | 1 |



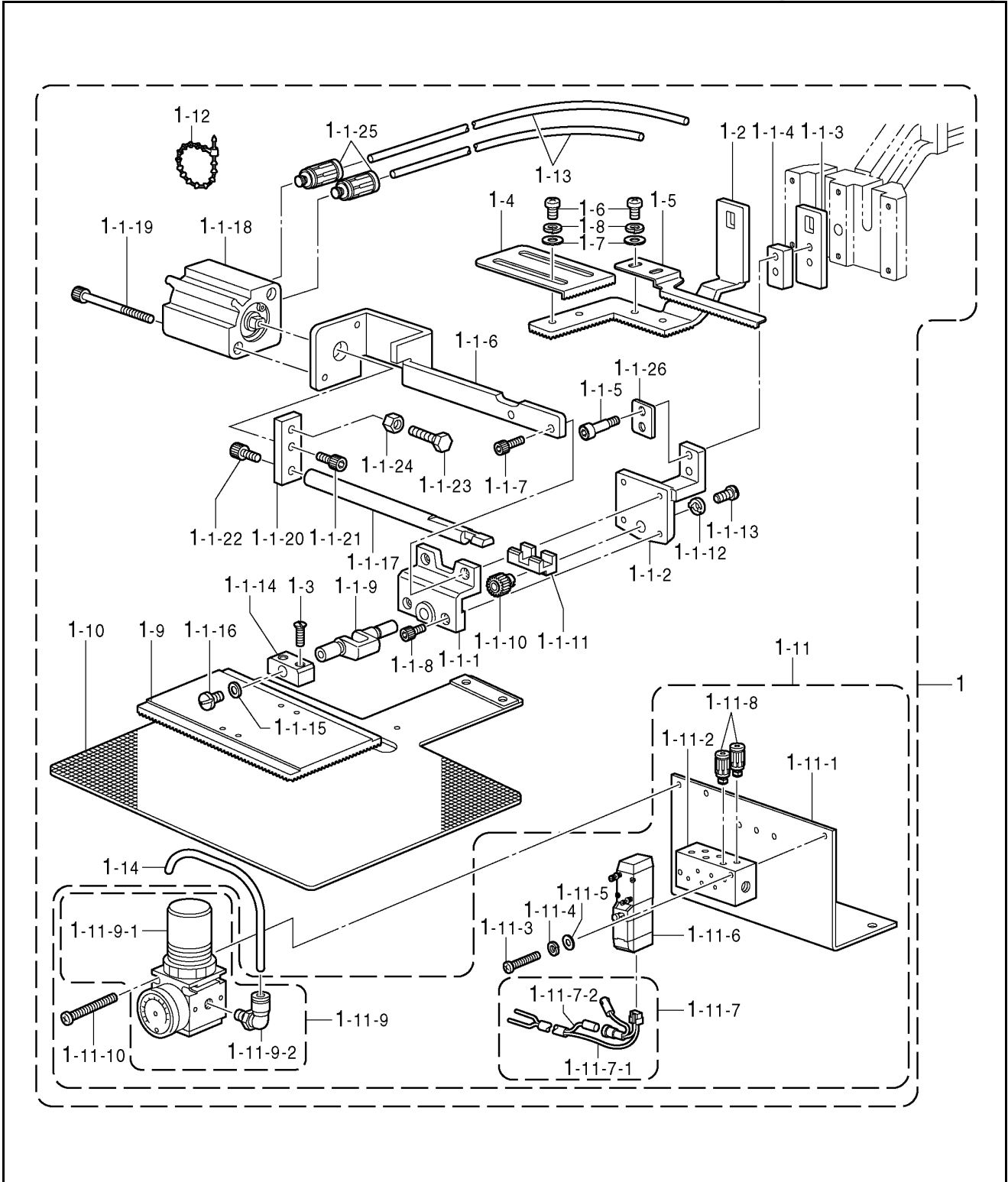
Inner clamping device

[Models BAS-311E,311EL]

| Ref. No. | Part name | Part code | Q'ty |
|----------|-------------------------------|------------|------|
| 1 | Inner clamping device set | S44793-009 | 1 |
| 1-1 | Work clamp clank assy, LA | S12633-209 | 1 |
| 1-1-1 | Work clamp crank holder, A | S12634-009 | 1 |
| 1-1-2 | Work clamp crank holder, B | S12635-009 | 1 |
| 1-1-3 | Work clamp crank holder, C | S12636-001 | 1 |
| 1-1-4 | Washer, crank holder | S12641-009 | 1 |
| 1-1-5 | Bolt, socket SM4.37 – 40 x 12 | 018681-232 | 2 |
| 1-1-6 | Reverse cylinder bracket | S12638-009 | 1 |
| 1-1-7 | Bolt, socket M3 x 12 | 018301-236 | 2 |
| 1-1-8 | Bolt, socket M3 x 10 | 018301-036 | 2 |
| 1-1-9 | Work clamp clank, LA | S05665-001 | 1 |
| 1-1-10 | Reverse gear | 154235-001 | 1 |
| 1-1-11 | Reverse rack | 154236-001 | 1 |
| 1-1-12 | Washer | 145087-001 | 1 |
| 1-1-13 | Set screw, SM3.18 | 149831-101 | 1 |
| 1-1-14 | Work clamp plate holder, L | 154237-001 | 1 |
| 1-1-15 | Washer, plain S3.5 | 025350-132 | 1 |
| 1-1-16 | Screw, SM3.57 | 100242-003 | 1 |
| 1-1-17 | Reverse rod | S12637-009 | 1 |
| 1-1-18 | Reverse cylinder | S12639-001 | 1 |
| 1-1-19 | Bolt, socket M3 x 35 | S12642-009 | 2 |
| 1-1-20 | Joint | S12640-009 | 1 |
| 1-1-21 | Bolt, socket M3 x 8 | 018300-836 | 1 |
| 1-1-22 | Bolt, socket M3 x 8 | 018300-836 | 1 |
| 1-1-23 | Bolt, M5 x 12 | 017501-216 | 1 |
| 1-1-24 | Nut, 2 M5 | 021500-216 | 1 |
| 1-1-25 | Half union, Q4M5 | S18415-101 | 2 |
| 1-2 | Outer work clamp, 312–1 | S12643-001 | 1 |
| 1-3 | Screw, flat SM3.18 | 117291-002 | 2 |
| 1-4 | Positioning plate, L | 154252-001 | 1 |
| 1-5 | Positioning plate, R | 154253-001 | 1 |
| 1-6 | Screw, pan SM3.57 – 40 x 5 | 062670-512 | 4 |
| 1-7 | Washer, plain L3.5 | 025350-332 | 4 |
| 1-8 | Washer, spring 2–3.5 | 028350-242 | 4 |
| 1-9 | Work clamp plate blank, A | 154256-101 | 1 |
| 1-10 | Feed plate blank, 312– 1 | S12645-001 | 1 |
| 1-11 | Inner clamp valve assy, 3 | S44745-009 | 1 |
| 1-11-1 | Valve setting plate, 4– 5H | S31570-209 | 1 |
| 1-11-2 | Air manifold, 3 | S44748-001 | 1 |
| 1-11-3 | Screw, pan M3 x 25 | 062302-505 | 2 |
| 1-11-4 | Washer, spring 2–3 | 028030-242 | 2 |
| 1-11-5 | Washer, plain M3 | 025030-232 | 2 |
| 1-11-6 | Solenoid valve | S43683-001 | 1 |
| 1-11-7 | Valve harness, x 1 | S43696-000 | 1 |
| 1-11-7-1 | Valve harness | S44746-000 | 1 |
| 1-11-7-2 | Valve harness, 24 V | S44750-000 | 1 |
| 1-11-8 | Half union, Q4M5 | S18415-101 | 2 |
| 1-11-9 | Regulator assy | S45252-000 | 1 |
| 1-11-10 | Joint, 3109-4-10 | S45254-000 | 2 |
| 1-11-11 | Screw, pan M4 x 40 | 062404-005 | 2 |
| 1-12 | Bead band | 340400-001 | 2 |
| 1-13 | Airtube, 4L = 1300 | S03803-000 | 2 |
| 1-14 | Airtube, 4L = 300 | S28741-000 | 1 |



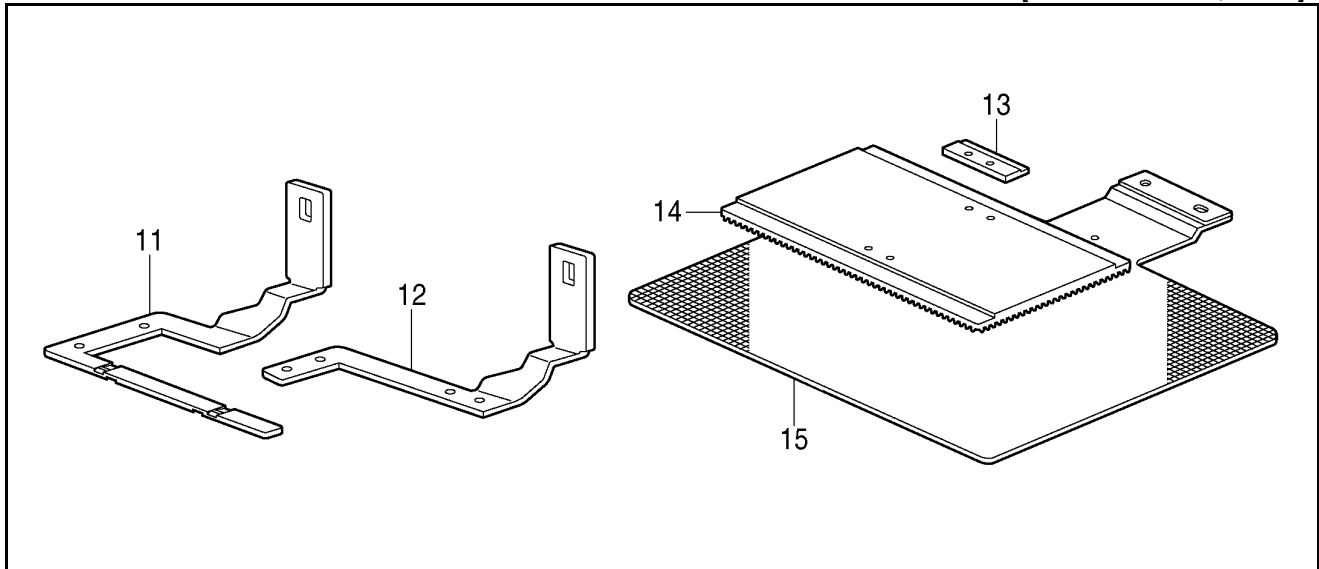
| Ref. No. | Part name | Part code | Q'ty |
|----------|------------------------------|------------|------|
| 11 | Outer work clamp foot, 312-2 | S12644-001 | 1 |
| 13 | Inner clamp, LL | S10542-001 | 1 |



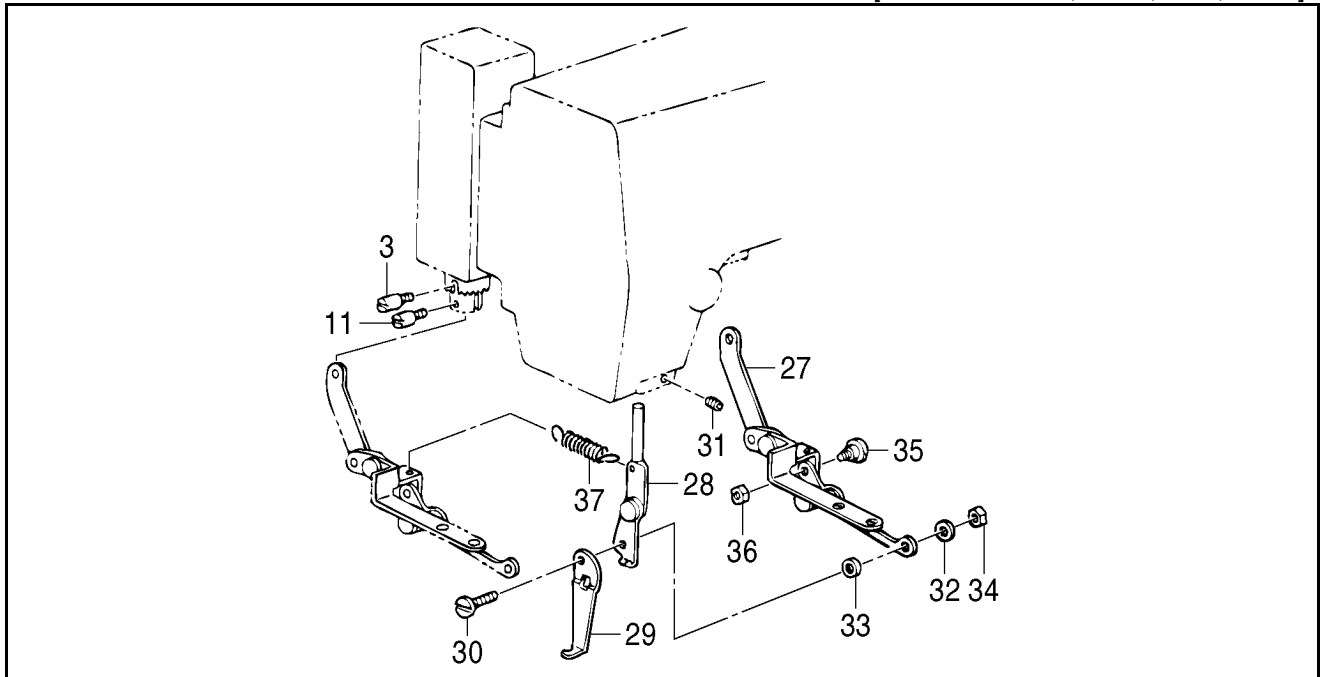
Inner clamping device

[Models BAS-326E, 326EL]

| Ref. No. | Part name | Part code | Q'ty |
|----------|---------------------------------------|------------|------|
| 1 | Inner clamping device set (For 326E) | S44419-009 | 1 |
| 1 | Inner clamping device set (For 326EL) | S51073-009 | 1 |
| 1-1 | Work clamp clank assy, LA | S44420-009 | 1 |
| 1-1-1 | Work clamp crank holder, A | S12634-009 | 1 |
| 1-1-2 | Work clamp crank holder, B | S12635-009 | 1 |
| 1-1-3 | Work clamp crank holder, C | S44421-001 | 1 |
| 1-1-4 | Washer, crank holder | S44422-001 | 1 |
| 1-1-5 | Bolt, socket SM4.37 x 18 | 150382-001 | 2 |
| 1-1-6 | Reverse cylinder bracket | S12638-009 | 1 |
| 1-1-7 | Bolt, socket M3 x 12 | 018301-236 | 2 |
| 1-1-8 | Bolt, socket M3 x 10 | 018301-036 | 2 |
| 1-1-9 | Work clamp clank, LA | S05665-001 | 1 |
| 1-1-10 | Reverse gear | 154235-001 | 1 |
| 1-1-11 | Reverse rack | 154236-001 | 1 |
| 1-1-12 | Washer | 145087-001 | 1 |
| 1-1-13 | Set screw, SM3.18 | 149831-101 | 1 |
| 1-1-14 | Work clamp plate holder, L | 154237-001 | 1 |
| 1-1-15 | Washer, plain S3.5 | 025350-132 | 1 |
| 1-1-16 | Screw, SM3.57 | 100242-003 | 1 |
| 1-1-17 | Reverse rod | S12637-009 | 1 |
| 1-1-18 | Reverse cylinder | S12639-001 | 1 |
| 1-1-19 | Bolt, socket M3 x 35 | S12642-009 | 2 |
| 1-1-20 | Joint | S12640-009 | 1 |
| 1-1-21 | Bolt, socket M3 x 8 | 018300-836 | 1 |
| 1-1-22 | Bolt, socket M3 x 8 | 018300-836 | 1 |
| 1-1-23 | Bolt, M5 x 12 | 017501-216 | 1 |
| 1-1-24 | Nut, 2 M5 | 021500-216 | 1 |
| 1-1-25 | Half union, Q4M5 | S18415-101 | 2 |
| 1-1-26 | Spacer, crank holder | S44424-001 | 1 |
| 1-2 | Outer work clamp, 326E – 1 | S44425-001 | 1 |
| 1-3 | Screw, flat SM3.18 | 117291-002 | 2 |
| 1-4 | Positioning plate, L | 154252-001 | 1 |
| 1-5 | Positioning plate, R | 154253-001 | 1 |
| 1-6 | Screw, pan SM3.57 – 40 x 5 | 062670-512 | 4 |
| 1-7 | Washer, plain L3.5 | 025350-332 | 4 |
| 1-8 | Washer, spring 2 – 3.5 | 028350-242 | 4 |
| 1-9 | Work clamp plate blank, A | 154256-101 | 1 |
| 1-10 | Feed plate blank, H (For 326E) | S44429-001 | 1 |
| 1-10 | Feed plate blank, H (For 326EL) | S51075-001 | 1 |
| 1-11 | Inner clamp valve assy, 3 | S44745-009 | 1 |
| 1-11-1 | Valve setting plate, 4 – 5H | S31570-209 | 1 |
| 1-11-2 | Air manifold, 3 | S44748-001 | 1 |
| 1-11-3 | Screw, pan M3 x 25 | 062302-505 | 2 |
| 1-11-4 | Washer, spring 2 – 3 | 028030-242 | 2 |
| 1-11-5 | Washer, plain M3 | 025030-232 | 2 |
| 1-11-6 | Solenoid valve | S43683-001 | 1 |
| 1-11-7 | Valve harness, x 1 | S43696-000 | 1 |
| 1-11-7-1 | Valve harness | S44746-000 | 1 |
| 1-11-7-2 | Valve harness, 24 V | S44750-000 | 1 |
| 1-11-8 | Half union, Q4M5 | S18415-101 | 2 |
| 1-11-9 | Regulator assy | S45252-000 | 1 |
| 1-11-9-1 | Regulator | S45253-000 | 1 |
| 1-11-9-2 | Joint, 3109-4-10 | S45254-000 | 2 |
| 1-11-10 | Screw, pan M4 x 40 | 062404-005 | 2 |
| 1-12 | Bead band | 340400-001 | 2 |
| 1-13 | Air tube, 4L = 1300 | S03803-000 | 2 |
| 1-14 | Air tube, 4L = 300 | S28741-000 | 1 |

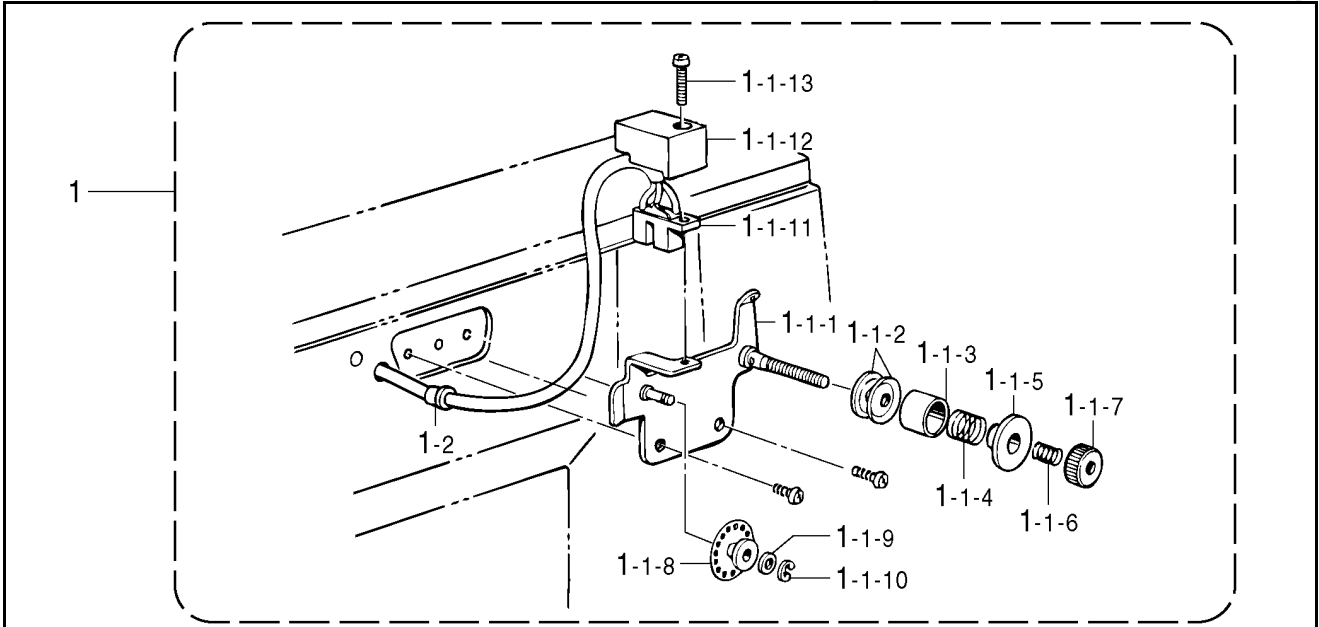


| Ref. No. | Part name | Part code | Q'ty |
|----------|--|------------|------|
| 11 | Outer work clamp, 326E - 2 | S44426-001 | 1 |
| 12 | Outer work clamp, 326E - 3 (For 326E) | S44427-001 | 1 |
| 12 | Outer work clamp, 326L - 3 (For 326EL) | S51076-001 | 1 |
| 13 | Inner clamp, LL | S10542-001 | 1 |
| 14 | Work clamp blank, A 326E (For 326E) | S44428-001 | 1 |
| 14 | Work clamp blank, A 326L (For 326EL) | S51077-001 | 1 |
| 15 | OT - feed plate blank, H (For 326E) | S44430-001 | 1 |
| 15 | OT - feed plate blank, L (For 326EL) | S51078-001 | 1 |

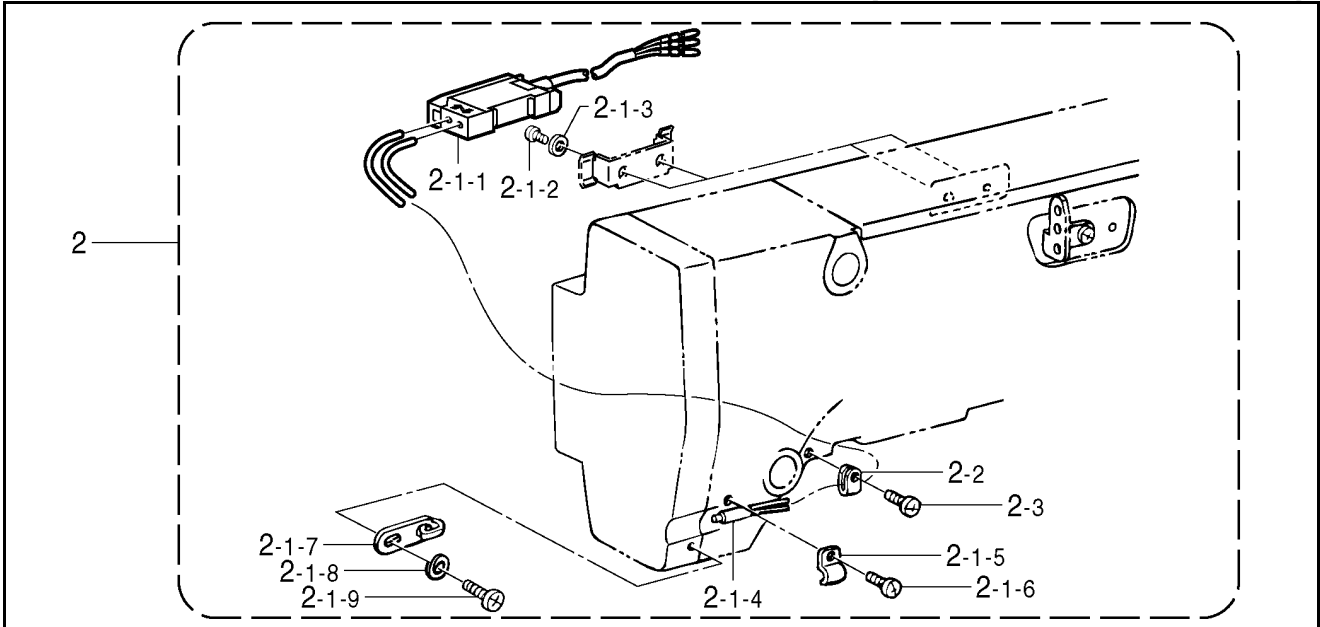


| Ref. No. | Partname | Partcode | Q'ty |
|----------|-------------------------------|------------|------|
| 3 | Plunger pin | S25456-001 | 1 |
| 11 | Plunger pin | S25456-001 | 1 |
| 27 | Thread wiper assy, side | S42859-001 | 1 |
| 28 | Wiper arm assy | S42864-101 | 1 |
| 29 | Thread wiper, A | 156206-001 | 1 |
| 30 | Screw, SM3.57 x 10 | S13385-001 | 1 |
| 31 | Set screw, socket (CP) SM4.76 | 014710-522 | 1 |
| 32 | Washer | S21875-001 | 1 |
| 33 | Collar | S12668-001 | 1 |
| 34 | Nut, 2 SM3.57 | 021670-202 | 1 |
| 35 | Shoulder screw, SM3.18 | 100659-001 | 1 |
| 36 | Nut, 1 SM3.18 | 021660-102 | 1 |
| 37 | Spring | 159111-001 | 1 |

| | Ref. No. | Partname | Partcode | Q'ty |
|--|----------|-------------------|------------|------|
| | 64-9 | Presser foot, XY | S42849-001 | 1 |
| | 70 | Presser bar, side | S42880-051 | 1 |

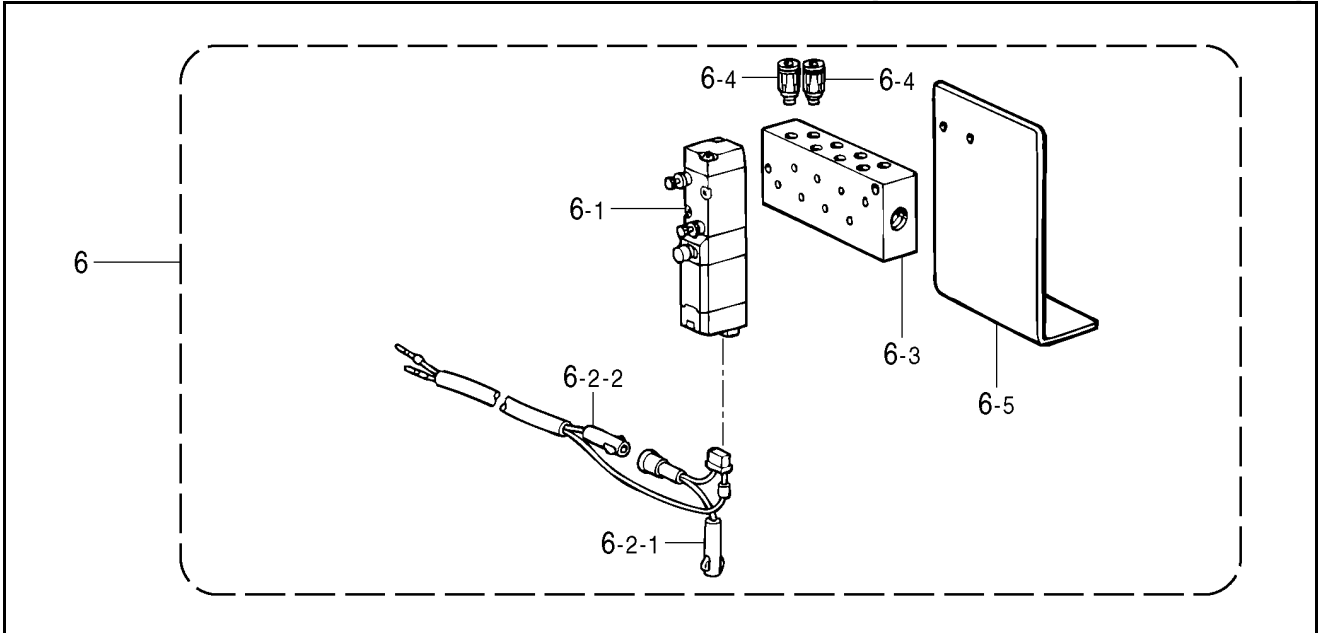


| Ref. No. | Partname | Part code | Q'ty |
|----------|-------------------------------|------------|------|
| 1 | TR. breakage detector set, R | S43833-109 | 1 |
| 1-1 | TR. breakage detector assy, R | S43834-109 | 1 |
| 1-1-1 | Detector bracket assy | S18032-001 | 1 |
| 1-1-2 | Disc, thread guide | 144504-001 | 2 |
| 1-1-3 | Disc, thread guide | 146206-009 | 1 |
| 1-1-4 | Pre-tension spring | 146058-001 | 1 |
| 1-1-5 | Pre-tension nut | 146059-001 | 1 |
| 1-1-6 | Spring | 146060-000 | 1 |
| 1-1-7 | Tension nut | 155510-001 | 1 |
| 1-1-8 | Pulley, A | 157255-100 | 1 |
| 1-1-9 | Washer, plain S3 | 025030-135 | 1 |
| 1-1-10 | Retaining ring, E2 | 048020-342 | 1 |
| 1-1-11 | Sensor assy | S43835-100 | 1 |
| 1-1-12 | Sensor cover | S18037-009 | 1 |
| 1-1-13 | Screw, pan M3 x 16 | 062301-616 | 1 |
| 1-2 | Cord bush | 146080-000 | 1 |

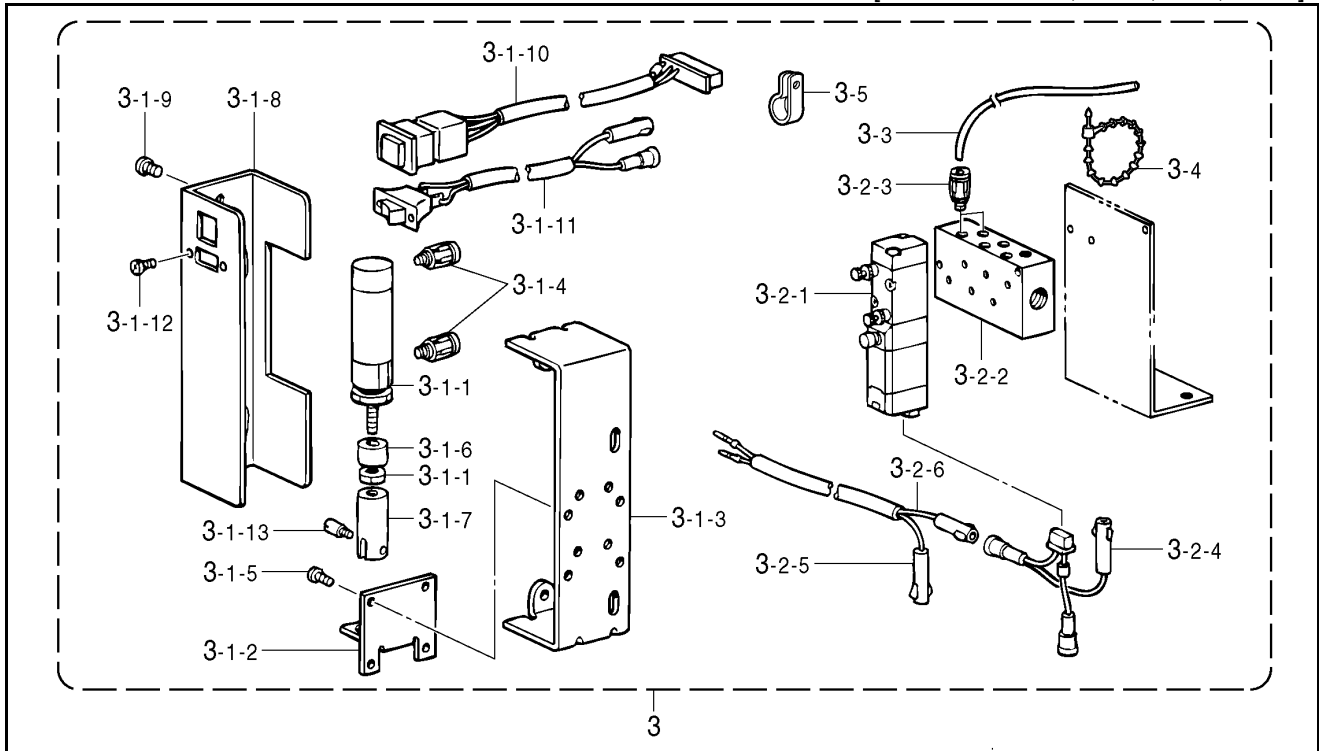


| Ref. No. | Part name | Part code | Q'ty |
|----------|-------------------------------|------------|------|
| 2 | TR. breakage detector set, F | S43836-301 | 1 |
| 2-1 | TR. breakage detector assy, F | S43977-201 | 1 |
| 2-1-1 | Amplifier unit | S43279-200 | 1 |
| 2-1-2 | Screw, pan M3 x 6 | 062300-612 | 2 |
| 2-1-3 | Washer, plain M3 | 025030-232 | 2 |
| 2-1-4 | Fiber unit, N | S29468-100 | 1 |
| 2-1-5 | Sensor setting plate | S11884-001 | 1 |
| 2-1-6 | Screw, pan M3 x 6 | 062300-612 | 1 |
| *2-1-7 | Thread guide, face plate | S02617-001 | 1 |
| *2-1-8 | Washer, spring 2-3.5 | 028350-242 | 1 |
| *2-1-9 | Screw, bind SM3.57-40 x 6 | 060670-612 | 1 |
| *2-2 | Cord holder, NK-2N | 625010-000 | 1 |
| *2-3 | Screw, bind SM3.57-40 x 6 | 060670-612 | 1 |

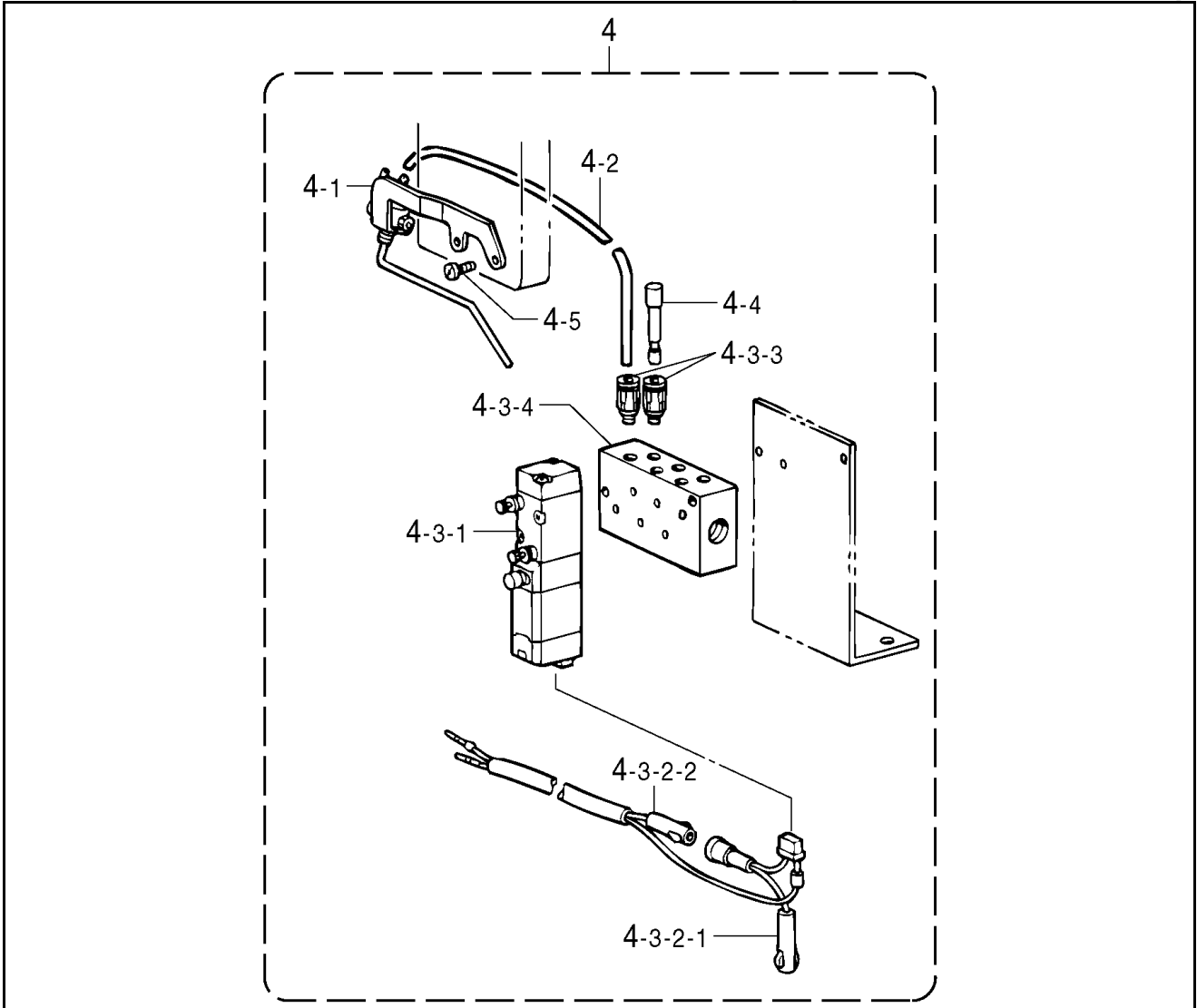
The part indicated with * is for BAS-311E & 311EL.



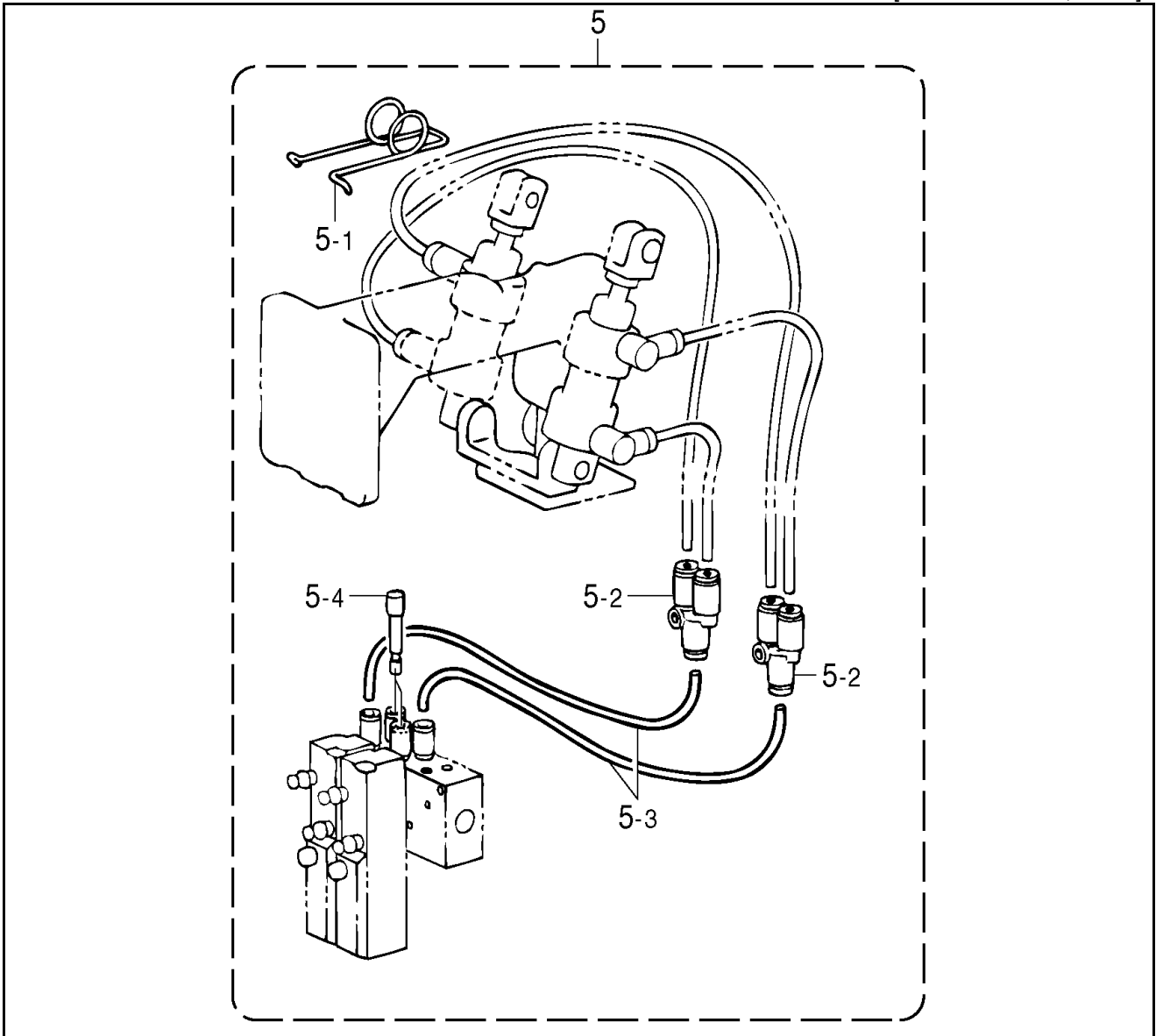
| Ref. No. | Part name | Part code | Q'ty |
|----------|--------------------------|------------|------|
| 6 | Solenoid valve assy, OP4 | S43847-101 | 1 |
| 6-1 | Solenoid valve | S43683-001 | 1 |
| 6-2 | Valve harness, x 1 | S43696-000 | 1 |
| 6-2-1 | Valve harness | S44746-000 | 1 |
| 6-2-2 | Valve harness, 24V | S44750-000 | 1 |
| 6-3 | Air manifold, 4 | S44749-001 | 1 |
| 6-4 | Half union, Q4M5 | S18415-101 | 2 |
| 6-5 | Setting plate, 4-5 valve | S31554-009 | 1 |



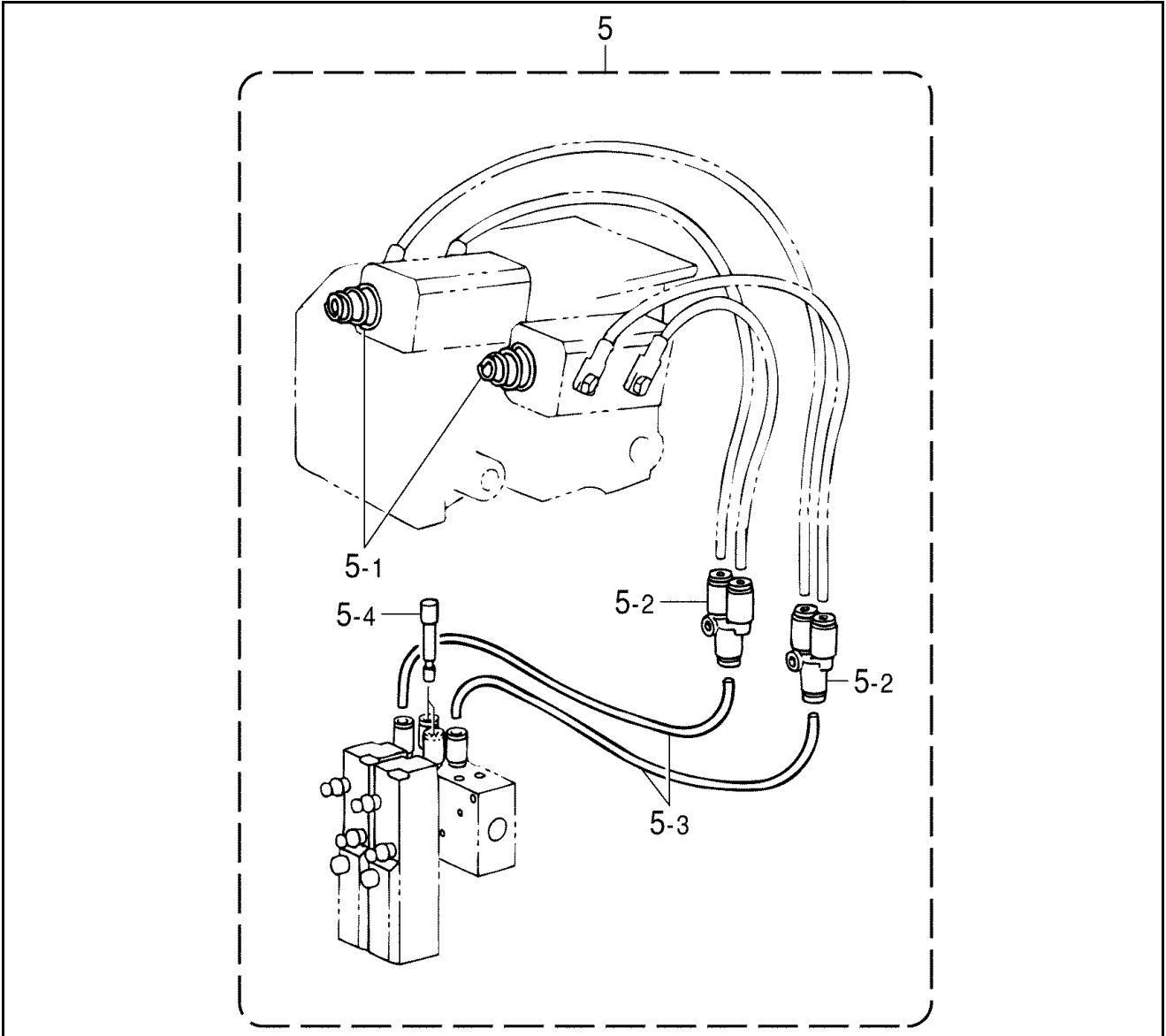
| Ref. No. | Part name | Part code | Qty |
|----------|--------------------------------|------------|-----|
| 3 | TR. wiper set, pneumatic type | S43841-009 | 1 |
| 3-1 | TR. wiper assy, pneumatic type | S43842-009 | 1 |
| 3-1-1 | Air cylinder | S17942-000 | 1 |
| 3-1-2 | Cylinder support plate | S31777-001 | 1 |
| 3-1-3 | Setting plate, solenoid | S10214-109 | 1 |
| 3-1-4 | Half union, Q4M5 | S18415-101 | 2 |
| 3-1-5 | Screw, pan SM3.57-40 x 6 | 062670-612 | 4 |
| 3-1-6 | Stopper, cylinder | S31778-000 | 1 |
| 3-1-7 | Joint, cylinder | S31779-001 | 1 |
| 3-1-8 | Cylinder cover | S31776-109 | 1 |
| 3-1-9 | Screw, pan SM4.37-40 x 5 | 062680-512 | 2 |
| 3-1-10 | EM-switch assy | S43203-000 | 1 |
| 3-1-11 | Thread wiper switch assy | S43843-009 | 1 |
| 3-1-12 | Screw, pan M3 x 6 | 062300-612 | 2 |
| 3-1-13 | Plunger pin | S02680-001 | 1 |
| 3-2 | AW-solenoid valve assy, 3 | S43844-001 | 1 |
| 3-2-1 | Solenoid valve | S43683-001 | 1 |
| 3-2-2 | Air manifold, 3 | S44748-001 | 1 |
| 3-2-3 | Half union, Q4M5 | S18415-101 | 2 |
| 3-2-4 | AW-valve harness, A | S44759-000 | 1 |
| 3-2-5 | AW-valve harness, B | S44760-000 | 1 |
| 3-2-6 | Valve harness, 24V | S44750-000 | 1 |
| 3-3 | Airtube, 4L = 1900 | S15031-008 | 2 |
| 3-4 | Bead band | 340400-001 | 7 |
| 3-5 | Cord holder, 7N | 149287-000 | 4 |



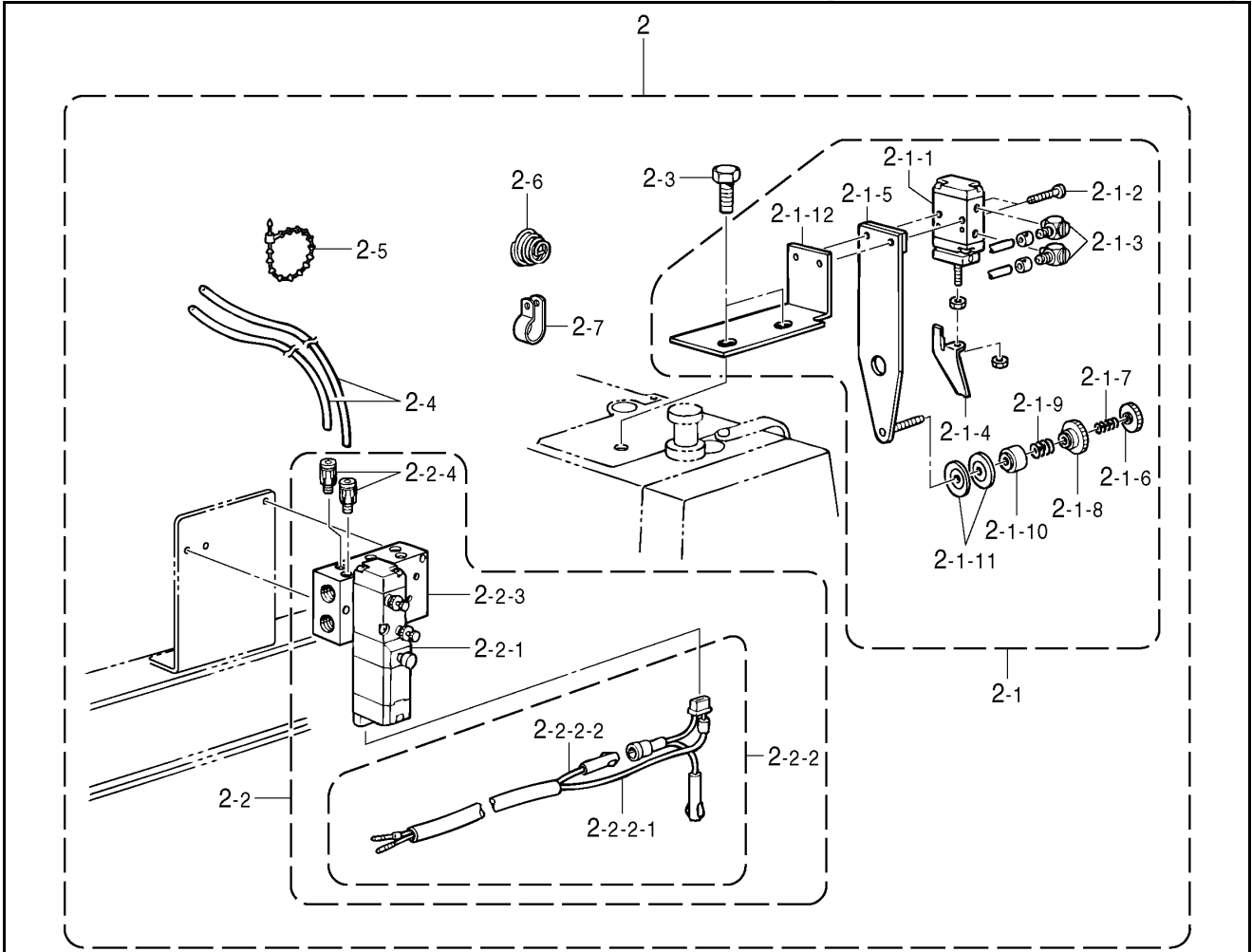
| Ref. No. | Part name | Part code | Q'ty |
|----------|--------------------------|------------|------|
| 4 | Needle cooler set | S43846-009 | 1 |
| 4-1 | Needle blower | S18027-101 | 1 |
| 4-4-2 | Air tube, 4L=1900 | S15031-008 | 1 |
| 4-3 | Solenoid valve assy, OP3 | S43839-008 | 1 |
| 4-3-1 | Solenoid valve | S43683-001 | 1 |
| 4-3-2 | Valve harness, x 1 | S43696-000 | 1 |
| 4-3-2-1 | Valve harness | S44746-000 | 1 |
| 4-3-2-2 | Valve harness, 24V | S44750-000 | 1 |
| 4-3-3 | Air manifold, 3 | S44748-001 | 1 |
| 4-3-4 | Half union, Q4M5 | S18415-101 | 2 |
| 4-4 | Plug, 4 | S04897-000 | 1 |
| 4-5 | Screw, pan SM3.57-40 x 8 | 062670-812 | 2 |



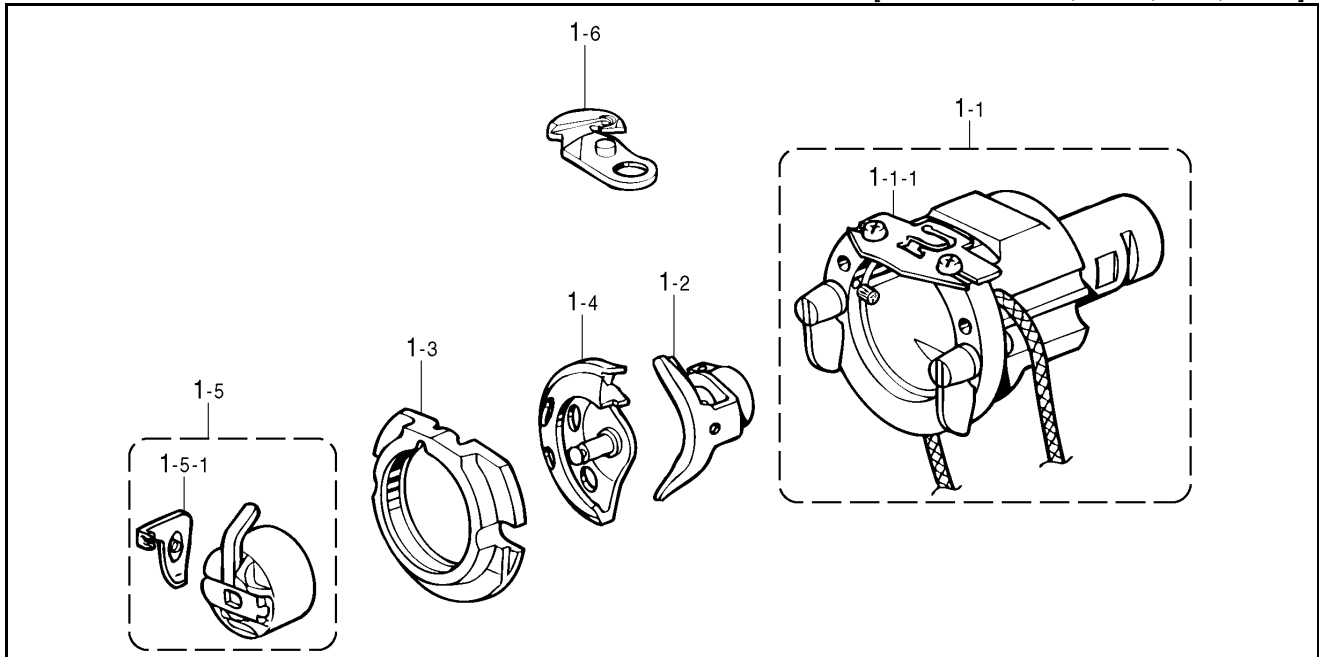
| Ref. No. | Part name | Part code | Qty |
|----------|----------------------|------------|-----|
| 5 | Soft work clamp set | S43979-001 | 1 |
| 5-1 | Spring | S43980-001 | 1 |
| 5-2 | Union, Y4 | S12104-000 | 2 |
| 5-3 | Airtube, S-C (L=200) | S08140-000 | 2 |
| 5-4 | Plug, 4 | S04897-000 | 2 |



| Ref. No. | Part name | Part code | Qty |
|----------|----------------------|------------|-----|
| 5 | Soft work clamp set | S44450-001 | 1 |
| 5-1 | Spring | S44412-001 | 2 |
| 5-2 | Union, Y4 | S12104-000 | 2 |
| 5-3 | Airtube, S-C (L=200) | S08140-000 | 2 |
| 5-4 | Plug, 4 | S04897-000 | 2 |



| Ref. No. | Part name | Part code | Qty |
|----------|-------------------------------------|------------|-----|
| 2 | 2-step thread tension device set, 1 | S43837-001 | 1 |
| 2-1 | 2-step thread tension assy | S43838-001 | 1 |
| 2-1-1 | Air cylinder, 10 x 10 | S34706-000 | 1 |
| 2-1-2 | Bolt, socket M3 x 20 | 018302-032 | 2 |
| 2-1-3 | Tube elbow, M-5HL-4 | S12150-000 | 2 |
| 2-1-4 | Countersink claw | S34533-001 | 1 |
| 2-1-5 | Sub tension bracket assy | S34534-001 | 1 |
| 2-1-6 | Tension nut | 155510-001 | 1 |
| 2-1-7 | Spring | 146060-000 | 1 |
| 2-1-8 | Pre-tension nut | 146059-001 | 1 |
| 2-1-9 | Pre-tension spring | 146058-001 | 1 |
| 2-1-10 | Disc presser, thread guide | 146206-009 | 1 |
| 2-1-11 | Disc, thread guide | 144504-001 | 2 |
| 2-1-12 | Cylinder setting bracket | S34536-001 | 1 |
| 2-2 | Solenoid valve assy, OP3 | S43839-005 | 1 |
| 2-2-1 | Solenoid valve | S43683-001 | 1 |
| 2-2-2 | Valve harness, x 1 | S43696-000 | 1 |
| 2-2-2-1 | Valve harness | S44746-000 | 1 |
| 2-2-2-2 | Valve harness, 24V | S44750-000 | 1 |
| 2-2-3 | Air manifold, 3 | S44748-001 | 1 |
| 2-2-4 | Half union, Q4M5 | S18415-101 | 2 |
| 2-3 | Bolt, SM7.94 x 18 | 017821-813 | 2 |
| 2-4 | Airtube, 4L=1900 | S15031-008 | 2 |
| 2-5 | Bead band | 340400-001 | 5 |
| 2-6 | Spring, tension | 104525-001 | 1 |
| 2-7 | Cord holder, 7N | 149287-000 | 3 |



| Ref. No. | Part name | Part code | Qty |
|----------|-------------------------------|------------|-----|
| 1 | Wide perfect stitch set, 300E | S44795-001 | 1 |
| 1-1 | Shuttle race base assy, WP | S40837-001 | 1 |
| 1-1-1 | Shuttle race thread guide, WP | S40839-001 | 1 |
| 1-2 | Driver, WP | S40840-001 | 1 |
| 1-3 | Shuttle race body, WP | S40841-101 | 1 |
| 1-4 | Shuttle hook box assy, WP | S40842-991 | 1 |
| 1-5 | Bobbin case assy, WP | S40843-001 | 1 |
| 1-5-1 | Tension spring, WP | S40845-001 | 1 |
| 1-6 | Movable knife assy, WP | S40846-001 | 1 |